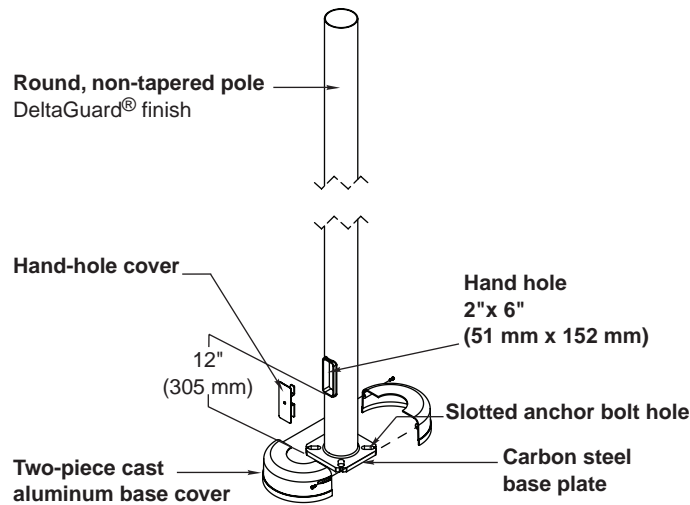


Beta Catalog Number:



Notes:

CATALOG # POLE SIZE

EPA

Round Steel Poles

Catalog #	POLE SIZE H (ft) x Dia. (in) x Wall (in)	H (m) x Dia. (mm) x Wall (mm)	80 MPH		90 MPH		100 MPH		110 MPH		120 MPH		130 MPH		140 MPH	
			Max EPA Weight	Fixture EPA Weight	Max EPA Weight	Fixture EPA Weight	Max EPA Weight	Fixture EPA Weight	Max EPA Weight	Fixture EPA Weight	Max EPA Weight	Fixture EPA Weight	Max EPA Weight	Fixture EPA Weight	Max EPA Weight	Fixture EPA Weight
PS5R12C(a)(b)	12 x 5 x 0.120	3.7 x 127 x 3	29.5	200	23.1	200	18.1	200	14.1	200	11.5	160	9.7	160	8.1	160
PS5R15C(a)(b)	15 x 5 x 0.120	4.6 x 127 x 3	25.5	200	19.9	200	15.5	200	12.1	200	9.8	160	8.3	160	6.8	160
PS5R17C(a)(b)	17 x 5 x 0.120	5.2 x 127 x 3	22.8	200	17.7	200	13.8	200	10.7	200	8.6	160	7.3	160	6.0	120
PS5R20C(a)(b)	20 x 5 x 0.120	6.1 x 127 x 3	18.8	200	14.5	200	11.2	200	8.6	200	6.9	160	5.8	160	4.8	120
PS5R22C(a)(b)	22 x 5 x 0.120	6.7 x 127 x 3	16.2	200	12.4	200	9.5	160	7.3	160	5.8	160	4.8	160	3.9	120
PS5R25C(a)(b)	25 x 5 x 0.120	7.6 x 127 x 3	12.2	200	9.2	200	6.9	160	5.2	160	4.1	120	3.3	120	2.7	80
PS5R27C(a)(b)	27 x 5 x 0.120	8.2 x 127 x 3	10.5	200	7.8	200	5.8	160	4.3	160	3.3	120	2.7	120	2.1	80
PS5R30C(a)(b)	30 x 5 x 0.120	9.1 x 127 x 3	7.8	200	5.6	200	4.0	160	2.9	160	2.2	120	1.7	120	1.3	80

NOTES:

(a) Specify direct mount pole configuration:



(a) Indicate T for tenon mount. (Order tenon separately)

(b) Specify finish color

BZ BK WH PB SV

Field-Installed Accessories



GFI Outlet Accessory - 120V

- REC-GFI5&6ABZ REC-GFI5&6APB
- REC-GFI5&6ABK REC-GFI5&6ASV
- REC-GFI5&6AWH

General Description

Non-tapered round steel poles are supplied with welded base with cover, four galvanized anchor bolts, masonite mounting template. Each anchor bolt is provided with two washers and two nuts. Steel pole base has slotted holes. Per National Electrical Code requirements, pole is standard with a 2" x 6" (51 x 152 mm) hand hole, located 12" (305 mm) above bottom of pole base. A #10-32 stainless-steel weld stud with grounding lug is located inside pole, opposite hand hole; a hand hole cover is supplied but shipped separately. Consult factory for EPA ratings.

Materials

Round, non-tapered pole of structural steel tubing (ASTM A 500); with a minimum yield strength of 42,000 p.s.i. Welded to a formed carbon steel base plate with a minimum yield strength of 36,000 p.s.i.

Finish

Exclusive Colorfast DeltaGuard® finish features an E-Coat epoxy primer with an ultra-durable powder topcoat, providing excellent resistance to corrosion, ultraviolet degradation and abrasion. The finish is covered by our 7 year limited warranty.

Labels

In the US, Beta square poles are classified by Underwriters Laboratories Inc. for electrical ground bonding.