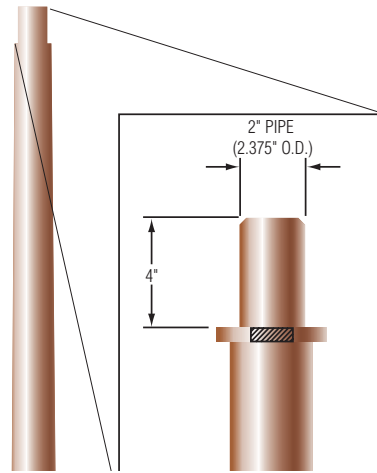


Beta Catalog Number:*Notes:*

Catalog Number	Base O.D. x Top O.D. & Wall Thickness	Pole Shaft	Bolt Circle/Range Inches	Bolt Size Inches	80 MPH		90 MPH		100 MPH	
					Max EPA	Max Fixture Weight	Max EPA	Max Fixture Weight	Max EPA	Max Fixture Weight
%PSRV25CTBZ	7.0 x 3.5 RND x 11 Gauge	7.0" x 3.5" x 25'	10.0/9.5-10.5	1	20.3	507	16.2	405	13.1	327
%PSRV30CTBZ	8.0 x 3.8 RND x 11 Gauge	8.0" x 3.8" x 30'	11.0/10.5-11.5	1	18.9	473	14.9	373	12.0	300
%PSRV35CTBZ	8.5 x 3.6 RND x 11 Gauge	8.5" x 3.6" x 35'	11.5/11-12	1	18.9	472	15.1	377	12.2	305
%PSRV39CTBZ	9.0 x 3.6 RND x 11 Gauge	9.0" x 3.6" x 39'	12.5/12-13	1	17.2	430	13.5	338	10.8	270
%PSRV45CTBZ	10.0 x 3.7 RND x 11 Gauge	10.0" x 3.7" x 45'	13.5/13-14	1	17.4	435	13.5	338	10.6	265
%PSRV50CTBZ	10.0 x 3.0 RND x 11 Gauge	10.0" x 3.0" x 50'	13.5/13-14	1	13.2	330	10.6	265	8.3	208

Field-Installed Accessories**General Description**

Round Tapered Poles combine their graceful, distinctive appearance with quality construction. They are available in lengths of 25, 30, 35, 39, 45 and 50 feet. Fixture mounting is accomplished by attaching the fixture, via the Round External Mount Vertical or Horizontal Tenon (PB/PT Series), to a 2-inch schedule 80 pipe that is peripherally welded to the top of the shaft. Each pole is shipped complete, with galvanized anchor bolts, paper mounting template and base cover. The two-piece non-metallic base cover is held together by two fasteners. The poles come with a reinforced hand hole that is welded to the shaft. The steel hand-hole cover is attached with two high-strength fasteners.

Materials

The shaft, of hot-rolled, commercial-quality ASTM A595 Grade A 11-gauge steel, has a minimum-yield strength of 50,000 psi. Shaft taper is a uniform 0.140 inch per foot. The one-piece construction features a full-length, longitudinal, high-frequency resistance weld. The base plate, made of carbon steel with 36,000-psi minimum-yield strength, telescopes the shaft and is welded top and bottom.

Finish

Round Tapered Poles come standard with a bronze polyester powder finish that carries a one-year warranty.

Labels

The grounding lug meets UL and NEC requirements for electrical ground bonding. All Beta Lighting poles meet or exceed NEC requirements. The Round Tapered Pole also meets AASHTO standards for mechanical strength and windloading.