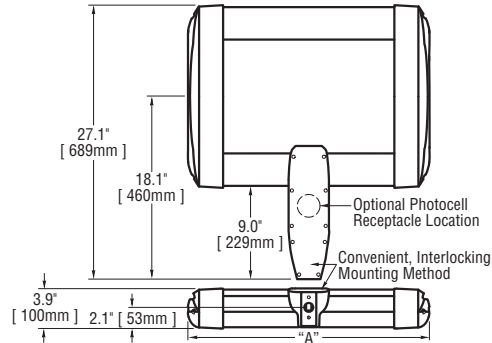




Notes:



# of LEDs	Dim. "A"
20	11.75"
40	11.75"
60	13.75"
80	15.75"
100	17.75"
120	19.75"
140	21.75"
160	23.75"
180	25.75"
200	27.75"
220	29.75"
240	31.75"

Product	Family	Optic	Mounting	# of LEDs (x 10)	LED Series	Voltage	Color Options	Factory-Installed Options
ARE	EDG	2M ¹ 2MB ²	DA ³	02 04 06 08 10 12 14 16 18 20 22 24	C	UL Universal 120-277V UH Universal 347-480V 12 120V 24 240V 27 277V 34 347V	SV Silver BK Black BZ Bronze PB Platinum Bronze WH White	AMB Amber LEDs ⁴ 525 525mA Drive Current ^{5,6} F Fuse ⁷ HL Hi/Low (175/350/525, dual circuit input) ⁸ P Photocell ^{9,10} R NEMA Photocell Receptacle ^{7,10} TL Two-Level (175/525 w/ integrated sensor control) ⁸ TL2 Two-Level (0/350 w/ integrated sensor control) ⁸ TL3 Two-Level (0/525 w/ integrated sensor control) ⁸

Footnotes

1. IESNA Type II Medium distribution
2. IESNA Type II Medium distribution with backlight control
3. Direct mounting arm for use with 3-6" square or round pole
4. Required option for turtle light
5. Driver operates at 525mA instead of the standard 350mA providing a higher lumen output and a shorter life
6. Available on fixtures with 20-120 LEDs
7. Not available when UH voltage is selected
8. Refer to multi-level spec sheet for more information
9. Must specify voltage other than UL or UH
10. This option not available with all multi-level options. Refer to multi-level spec sheet for more information

LED PERFORMANCE SPECS

# of LEDs	Initial Delivered Lumens – Type II Medium	B	U	G	Initial Delivered Lumens – Type II Medium w/ Backlight Control	B	U	G	System Watts 120-277V	Total Current @ 120V	Total Current @ 230V	Total Current @ 277V	System Watts 347-480V*	Total Current @ 347V	Total Current @ 480V	L ₇₀ Hours** @ 25° C (77° F)
		Rating**				Rating**										
350mA (Standard) Fixture Operating at 25° C (77° F)																
20	779 (02)	0	1	1	611 (02)	0	1	1	29	0.25	0.14	0.13	31	0.09	0.08	98,000
40	1,557 (04)	1	1	1	1,222 (04)	0	1	1	50	0.43	0.24	0.21	54	0.16	0.12	98,000
60	2,336 (06)	1	1	1	1,833 (06)	0	1	1	78	0.65	0.37	0.35	81	0.23	0.18	98,000
80	3,115 (08)	1	1	1	2,445 (08)	0	1	1	100	0.84	0.47	0.41	102	0.29	0.22	98,000
100	3,893 (10)	1	1	1	3,056 (10)	0	1	1	115	0.98	0.52	0.44	121	0.35	0.26	98,000
120	4,672 (12)	1	1	1	3,667 (12)	0	1	1	138	1.18	0.62	0.52	145	0.42	0.31	98,000
140	5,451 (14)	2	2	1	4,278 (14)	1	2	1	164	1.64	0.74	0.63	172	0.50	0.37	98,000
160	6,230 (16)	2	2	1	4,889 (16)	1	2	1	187	1.57	0.84	0.71	195	0.59	0.41	98,000
180	7,008 (18)	2	2	2	5,500 (18)	1	2	1	208	2.10	0.94	0.80	218	0.64	0.46	98,000
200	7,787 (20)	2	2	2	6,111 (20)	1	2	2	230	1.95	1.03	0.88	241	0.71	0.51	98,000
220	8,566 (22)	2	2	2	6,722 (22)	1	2	2	254	2.13	1.13	0.96	264	0.77	0.56	98,000
240	9,344 (24)	2	2	2	7,334 (24)	1	2	2	277	2.34	1.23	1.03	287	0.86	0.60	98,000
525mA Fixture Operating at 25° C (77° F)																
20	1,012 (02)	0	1	1	794 (02)	0	1	1	38	0.32	0.18	0.16	44	0.12	0.11	57,000
40	2,025 (04)	1	1	1	1,589 (04)	0	1	1	70	0.59	0.32	0.27	77	0.23	0.18	57,000
60	3,037 (06)	1	1	1	2,383 (06)	0	1	1	106	0.89	0.49	0.44	115	0.33	0.25	57,000
80	4,049 (08)	1	1	1	3,178 (08)	0	1	1	139	1.16	0.63	0.55	148	0.43	0.32	57,000
100	5,062 (10)	1	2	1	3,972 (10)	1	1	1	180	1.54	0.82	0.72	192	0.56	0.41	57,000
120	6,074 (12)	2	2	1	4,767 (12)	1	2	1	217	1.82	0.99	0.84	226	0.66	0.49	57,000

* Utilizes magnetic step-down transformer when 525mA drive current or multi-level options are selected

** For recommended lumen depreciation data see TD-13

*** For more information on the IES BUG (Backlight-Uplight-Glare) Rating visit www.iesna.org/PDF/Erratas/TM-15-07BugRatingsAddendum.pdf



General Description

Slim, low profile design minimizes wind load requirements. Fixture sides are rugged cast aluminum with integral, weather-tight LED driver compartments and high performance aluminum heatsinks. Convenient, interlocking mounting method. Mounting housing is rugged die cast aluminum and mounts to 3 – 6" square or round pole. Fixture is secured by two (2) 5/16-18 UNC bolts spaced on 2" centers. Includes leaf/debris guard. Five year limited warranty on fixture.

Electrical

Modular design accommodates varied lighting output from high power, amber colored (585 – 595nm wavelength), long life LED sources. 120–277V 50/60 Hz, Class 1 LED drivers are standard. 347–480V 50/60 Hz option is available. LED drivers have power factor >90% and THD <20% at full load. Units provided with integral 9kV surge suppression protection standard. Integral weather-tight electrical box with terminal strip for easy power hook-up. Surge protection tested in accordance with IEEE C62.41.2 and ANSI standard 62.41.2.

Testing & Compliance

UL listed in the U.S. and Canada for wet locations and enclosure classified IP66 per IEC 529. Consult factory for CE Certified products. RoHS compliant. International Dark-Sky Association approved.

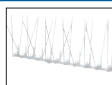
Finish

Exclusive Colorfast DeltaGuard® finish features an E-Coat epoxy primer with an ultra-durable silver powder topcoat, providing excellent resistance to corrosion, ultraviolet degradation and abrasion. Bronze, black, white and platinum bronze powder topcoats are also available. The finish is covered by our 10 year limited warranty.

Fixture and finish are endurance tested to withstand 5,000 hours of elevated ambient salt fog conditions as defined in ASTM Standard B 117.

Patents

U.S. and international patents granted and pending. BetaLED is a division of Ruud Lighting, Inc. For a listing of Ruud Lighting, Inc. patents, visit www.uspto.gov.

Field-Installed Accessories

Bird Spikes
XA-BRDSPK

Photometrics**THE EDGE® EPA & Weight Calculations**

# of LEDs	Approximate		Single	2@ 180°	2@ 90°	3@ 90°	4@ 90°
	Weight	120-277V ¹					
Fixed Arm Mount							
20	21.0 lbs.		0.60	1.20	0.87	1.47	1.75
40	23.7 lbs.		0.60	1.20	0.87	1.47	1.75
60	27.0 lbs.		0.60	1.20	0.92	1.51	1.83
80	28.1 lbs.		0.60	1.20	0.96	1.55	1.91
100	32.3 lbs.		0.60	1.20	1.00	1.60	2.00
120	33.5 lbs.		0.60	1.20	1.04	1.64	2.08
140	36.9 lbs.		0.60	1.20	1.08	1.68	2.16
160	41.4 lbs.		0.60	1.20	1.12	1.72	2.24
180	42.1 lbs.		0.60	1.20	n/a ²	n/a ²	n/a ²
200	43.3 lbs.		0.61	1.21	n/a ²	n/a ²	n/a ²
220	46.6 lbs.		0.65	1.29	n/a ²	n/a ²	n/a ²
240	47.8 lbs.		0.69	1.38	n/a ²	n/a ²	n/a ²

1. Add 5 lbs. for transformer in 347-480V fixtures
2. For applications requiring 180 or more LEDs at 90 degrees refer to the DL mount version of our spec sheet.