



Notes:

Product	Family	Optic	Mounting	# of LEDs ( x 10 )	LED Series	Voltage	Color Options	Factory-Installed Options
ARE	EDG	2S <sup>1</sup> 2SB <sup>2</sup>	DL <sup>3</sup>	02 04 06 08 10 12 14 16 18 20 22 24	C	UL Universal 120–277V UH Universal 347–480V 12 24 240V 27 277V 34 347V	SV Silver BK Black BZ Bronze PB Platinum Bronze WH White	Please type additional options in manually on the lines provided above. 43K 4300K Color Temperature <sup>4</sup> 525 525mA Drive Current <sup>5,6</sup> DIM 0–10V Dimming <sup>7,8</sup> F Fuse <sup>9</sup> HL Hi/Low (175/350/525, dual circuit input) <sup>10-12</sup> P Photocell <sup>13-16</sup> R NEMA Photocell Receptacle <sup>15-18</sup> TL Two-Level (175/525 w/ integrated sensor control) <sup>10,12</sup> TL2 Two-Level (0/350 w/ integrated sensor control) <sup>12</sup> TL3 Two-Level (0/525 w/ integrated sensor control) <sup>10,12</sup>

Footnotes

- IESNA Type II Short distribution
- IESNA Type II Short distribution with backlight control
- Direct mounting arm—long for use with 3–6" square or round pole
- Color temperature per fixture; minimum 70 CRI
- Driver operates at 525mA instead of the standard 350mA providing a higher lumen output and a shorter life
- Available on fixtures with 20–120 LEDs
- Control by others
- Please consult factory for availability
- Not available with TL, TL2, or TL3 options when UH voltage is selected
- Available on 120–277V fixtures with 20–120 LEDs and 347–480V fixtures with 40–120 LEDs
- Sensor not included
- Refer to multi-level spec sheet for more information
- Not available with HL option when UH voltage is selected
- Must specify voltage other than UL or UH
- Not available with TL2 or TL3 options
- Not available with TL option when UH voltage is selected
- 100 LED maximum when used with TL option
- Not available with HL option

LED PERFORMANCE SPECS

# of LEDs	Initial Delivered Lumens – Type II Short @ 6000K	B U G			Initial Delivered Lumens – Type II Short w/ Backlight Control @ 6000K	B U G			Initial Delivered Lumens – Type II Short @ 4300K	B U G			System Watts 120–277V	Total Current @ 120V	Total Current @ 230V	Total Current @ 277V	System Watts 347–480V <sup>1</sup>	Total Current @ 347V	Total Current @ 480V	L <sub>70</sub> Hours <sup>2</sup> @ 25° C (77° F)	
		Rating <sup>3</sup>				Rating <sup>3</sup>				Rating <sup>3</sup>											Rating <sup>3</sup>
<b>350mA (Standard) Fixture Operating at 25° C (77° F)</b>																					
20	1,752 (02)	1	1	1	1,360 (02)	0	1	0	1,537 (02)	1	1	1	29	0.25	0.14	0.13	31	0.09	0.08	104,935	
40	3,504 (04)	1	1	1	2,720 (04)	1	1	1	3,073 (04)	1	1	1	50	0.43	0.24	0.21	54	0.16	0.12	104,935	
60	5,255 (06)	2	1	2	4,081 (06)	1	1	1	4,610 (06)	1	1	1	78	0.65	0.37	0.35	81	0.23	0.18	104,935	
80	7,007 (08)	2	1	2	5,441 (08)	1	1	1	6,146 (08)	2	1	2	100	0.84	0.47	0.41	102	0.29	0.22	104,935	
100	8,759 (10)	2	1	2	6,801 (10)	1	1	1	7,683 (10)	2	1	2	115	0.98	0.52	0.44	121	0.35	0.26	104,935	
120	10,511 (12)	3	1	3	8,161 (12)	1	1	1	9,219 (12)	2	1	2	138	1.18	0.62	0.52	145	0.42	0.31	104,935	
140	12,263 (14)	3	1	3	9,522 (14)	2	1	2	10,756 (14)	3	1	3	164	1.64	0.74	0.63	172	0.50	0.37	104,935	
160	14,014 (16)	3	1	3	10,882 (16)	2	1	2	12,292 (16)	3	1	3	187	1.57	0.84	0.71	195	0.59	0.41	104,935	
180	15,766 (18)	3	1	3	12,242 (18)	2	1	2	13,829 (18)	3	1	3	208	2.10	0.94	0.80	218	0.64	0.46	104,935	
200	17,518 (20)	3	1	3	13,602 (20)	2	1	2	15,365 (20)	3	1	3	230	1.95	1.03	0.88	241	0.71	0.51	104,935	
220	19,270 (22)	3	1	3	14,962 (22)	2	1	2	16,902 (22)	3	1	3	254	2.13	1.13	0.96	264	0.77	0.56	104,935	
240	21,022 (24)	3	1	3	16,323 (24)	2	1	2	18,438 (24)	3	1	3	277	2.34	1.23	1.03	287	0.86	0.60	104,935	
<b>525mA Fixture Operating at 25° C (77° F)</b>																					
20	2,277 (02)	1	1	1	1,768 (02)	0	1	0	1,997 (02)	1	1	1	38	0.32	0.18	0.16	44	0.12	0.11	60,685	
40	4,555 (04)	1	1	1	3,537 (04)	1	1	1	3,995 (04)	1	1	1	70	0.59	0.32	0.27	77	0.23	0.18	60,685	
60	6,832 (06)	2	1	2	5,305 (06)	1	1	1	5,992 (06)	2	1	2	106	0.89	0.49	0.44	115	0.33	0.25	60,685	
80	9,109 (08)	2	1	2	7,073 (08)	1	1	1	7,990 (08)	2	1	2	139	1.16	0.63	0.55	148	0.43	0.32	60,685	
100	11,387 (10)	3	1	3	8,841 (10)	2	1	2	9,987 (10)	3	1	3	180	1.54	0.82	0.72	192	0.56	0.41	60,685	
120	13,664 (12)	3	1	3	10,610 (12)	2	1	2	11,985 (12)	3	1	3	217	1.82	0.99	0.84	226	0.66	0.49	60,685	

1. Utilizes magnetic step-down transformer      2. For recommended lumen depreciation data see TD-13      3. For more information on the IES BUG (Backlight-Uplight-Glare) Rating visit [www.iesna.org/PDF/Erratas/TM-15-07BugRatingsAddendum.pdf](http://www.iesna.org/PDF/Erratas/TM-15-07BugRatingsAddendum.pdf)



**General Description**

Slim, low profile design minimizes wind load requirements. Fixture sides are rugged cast aluminum with integral, weather-tight LED driver compartments and high performance aluminum heatsinks. Convenient, interlocking mounting method. Mounting housing is rugged die cast aluminum and mounts to 3 – 6" square or round pole. Fixture is secured by two (2) 5/16-18 UNC bolts spaced on 2" centers. Includes leaf/debris guard. Five year limited warranty on fixture.

**Electrical**

Modular design accommodates varied lighting output from high power, white, 6000K (+/- 500K per full fixture), minimum 70 CRI, long life LED sources. 120–277V 50/60 Hz, Class 1 LED drivers are standard. 347–480V 50/60 Hz driver is optional. LED drivers have power factor >90% and THD <20% of full load. Units provided with integral 9kV surge suppression protection standard. Integral weather-tight electrical box with terminal strip for easy power hook-up. Surge protection tested in accordance with IEEE C62.41.2 and ANSI standard 62.41.2.

**Testing & Compliance**

UL listed in the U.S. and Canada for wet locations. Consult factory for CE Certified products. RoHS compliant. International Dark-Sky Association approved.

**Finish**

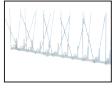
Exclusive Colorfast DeltaGuard® finish features an E-Coat epoxy primer with an ultra-durable silver powder topcoat, providing excellent resistance to corrosion, ultraviolet degradation and abrasion. Bronze, black, white and platinum bronze powder topcoats are also available. The finish is covered by our 10 year limited warranty.

Fixture and finish are endurance tested to withstand 5,000 hours of elevated ambient salt fog conditions as defined in ASTM Standard B 117.

**Patents**

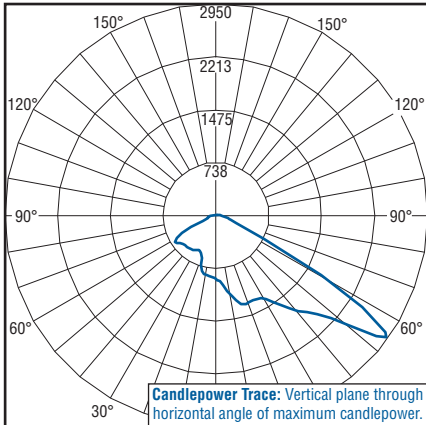
U.S. and international patents granted and pending. BetaLED is a division of Ruud Lighting, Inc. For a listing of Ruud Lighting, Inc. patents, visit [www.uspto.gov](http://www.uspto.gov).

**Field-Installed Accessories**

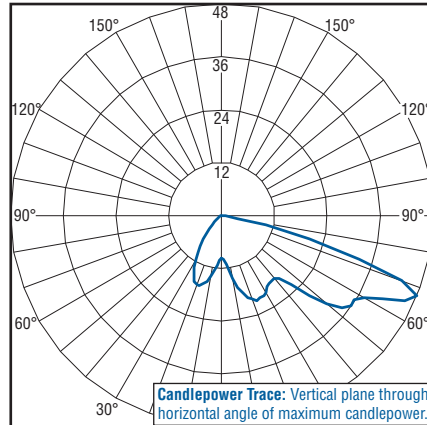


**Bird Spikes**  
XA-BRDSPK

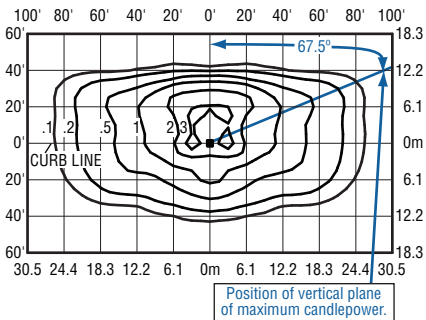
**Photometrics**



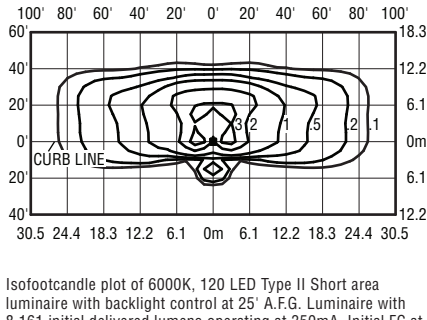
Independent Testing Laboratories certified test. Report No. ITL63656. Candlepower trace of 6000K, 40 LED Type II Short streetlight luminaire with 5,225 initial delivered lumens operating at 525mA. All published luminaire photometric testing performed to IESNA LM-79-08 standards.



PRELIMINARY  
Candlepower trace of Type II Short LED luminaire with backlight control.



Isofootcandle plot of 6000K, 120 LED Type II Short area luminaire at 25' A.F.G. Luminaire with 10,511 initial delivered lumens operating at 350mA. Initial FC at grade.



Isofootcandle plot of 6000K, 120 LED Type II Short area luminaire with backlight control at 25' A.F.G. Luminaire with 8,161 initial delivered lumens operating at 350mA. Initial FC at grade.

**THE EDGE™ EPA & Weight Calculations**

# of LEDs	Approximate Weight 120–277V <sup>1</sup>	Approximate Weight				
		Single	2@ 180°	2@ 90°	3@ 90°	4@ 90°
<b>Fixed Arm Mount–Long</b>						
20	23.0 lbs.	0.75	1.50	1.02	1.77	1.91
40	25.8 lbs.	0.75	1.50	1.02	1.77	1.91
60	29.1 lbs.	0.75	1.50	1.07	1.82	1.98
80	30.2 lbs.	0.75	1.50	1.11	1.86	2.04
100	34.4 lbs.	0.75	1.50	1.15	1.90	2.10
120	35.6 lbs.	0.75	1.50	1.19	1.94	2.16
140	42.0 lbs.	0.75	1.50	1.23	1.98	2.22
160	43.5 lbs.	0.75	1.50	1.27	2.02	2.28
180	44.2 lbs.	0.75	1.50	1.32	2.07	2.36
200	45.4 lbs.	0.75	1.50	1.36	2.11	2.42
220	48.7 lbs.	0.75	1.50	1.40	2.15	2.48
240	49.9 lbs.	0.75	1.50	1.44	2.19	2.54

1. Add 5 lbs. for transformer in 347–480V fixtures

