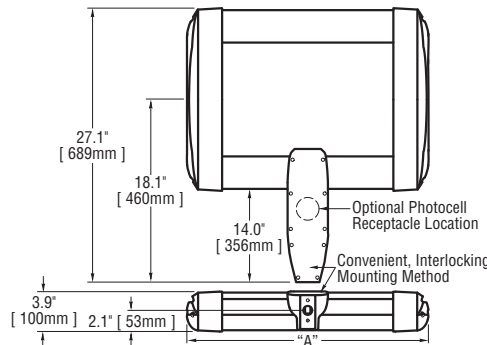




Notes:



# of LEDs	Dim. "A"
20	11.75"
40	11.75"
60	13.75"
80	15.75"
100	17.75"
120	19.75"
140	21.75"
160	23.75"
180	25.75"
200	27.75"
220	29.75"
240	31.75"

Product	Family	Optic	Mounting	# of LEDs (x 10)	LED Series	Voltage	Color Options	Factory-Installed Options
ARE	EDG	5M ¹	DL ²	02	C	UL	SV	43K 4300K Color Temperature ³
				04		Universal	Silver	525 525mA Drive Current ^{4,5}
				06		120-277V	BK	DIM 0-10V Dimming ^{6,7}
				08		UH	Black	F Fuse ⁸
				10		Universal	BZ	HL Hi/Low (175/350/525, dual circuit input) ⁹⁻¹¹
				12		347-480V	Bronze	P Photocell ¹²⁻¹⁵
				14		12	PB	R NEMA Photocell Receptacle ¹⁴⁻¹⁷
				16		120V	Platinum	TL Two-Level (175/525 w/ integrated sensor control) ^{9,11}
				18		24	Bronze	TL2 Two-Level (0/350 w/ integrated sensor control) ¹¹
				20		240V	WH	TL3 Two-Level (0/525 w/ integrated sensor control) ^{9,11}
				22		27	White	
				24		277V		
						34		
						347V		

Footnotes

- IESNA Type V Medium distribution
- Direct mounting arm—long for use with 3-6" square or round pole
- Color temperature per fixture; minimum 70 CRI
- Driver operates at 525mA instead of the standard 350mA providing a higher lumen output and a shorter life
- Available on fixtures with 20-120 LEDs
- Control by others
- Please consult factory for availability
- Not available with TL, TL2, or TL3 options when UH voltage is selected
- Available on 120-277V fixtures with 20-120 LEDs and 347-480V fixtures with 40-120 LEDs
- Sensor not included
- Refer to multi-level spec sheet for more information
- Not available with HL option when UH voltage is selected
- Must specify voltage other than UL or UH
- Not available with TL2 or TL3 options
- Not available with TL option when UH voltage is selected
- 100 LED maximum when used with TL option
- Not available with HL option

LED PERFORMANCE SPECS																
# of LEDs	Initial Delivered Lumens – Type V Medium @ 6000K	B	U	G	Initial Delivered Lumens – Type V Medium @ 4300K	B	U	G	System Watts 120-277V	Total Current @ 120V	Total Current @ 230V	Total Current @ 277V	System Watts 347-480V ¹	Total Current @ 347V	Total Current @ 480V	L ₇₀ Hours ² @ 25° C (77° F)
		Rating ³				Rating ³										
350mA (Standard) Fixture Operating at 25° C (77° F)																
20	1,793 (02)	1	1	1	1,573 (02)	1	1	1	25	0.23	0.11	0.10	30	0.10	0.15	105,000
40	3,586 (04)	2	1	1	3,145 (04)	2	1	1	49	0.41	0.23	0.20	55	0.16	0.16	105,000
60	5,379 (06)	3	1	1	4,718 (06)	3	1	1	71	0.60	0.32	0.28	77	0.22	0.20	105,000
80	7,172(08)	3	1	2	6,291 (08)	3	1	1	93	0.78	0.41	0.35	99	0.29	0.23	105,000
100	8,965 (10)	3	2	2	7,863 (10)	3	2	2	116	0.98	0.52	0.43	123	0.35	0.28	105,000
120	10,758 (12)	4	2	2	9,436 (12)	4	2	2	139	1.17	0.61	0.52	146	0.42	0.33	105,000
140	12,551 (14)	4	2	2	11,009 (14)	4	2	2	164	1.39	0.74	0.63	172	0.50	0.37	105,000
160	14,344 (16)	4	2	2	12,582 (16)	4	2	2	186	1.58	0.83	0.71	195	0.56	0.41	105,000
180	16,137 (18)	4	3	2	14,154 (18)	4	2	2	211	1.77	0.93	0.79	220	0.63	0.47	105,000
200	17,930 (20)	4	3	2	15,727 (20)	4	3	2	233	1.97	1.03	0.87	243	0.70	0.51	105,000
220	19,723 (22)	5	3	3	17,300 (22)	4	3	2	256	2.16	1.13	0.95	267	0.77	0.56	105,000
240	21,516 (24)	5	3	3	18,872 (24)	5	3	3	279	2.35	1.23	1.03	291	0.84	0.61	105,000
525mA Fixture Operating at 25° C (77° F)																
20	2,331 (02)	2	1	1	2,044 (02)	2	1	1	37	0.31	0.18	0.17	43	0.13	0.15	61,000
40	4,662 (04)	3	1	1	4,089 (04)	3	1	1	69	0.58	0.31	0.27	75	0.22	0.19	61,000
60	6,993 (06)	3	1	2	6,133 (06)	3	1	1	110	0.92	0.49	0.41	116	0.33	0.27	61,000
80	9,324 (08)	4	2	2	8,178 (08)	3	2	2	138	1.16	0.62	0.54	145	0.42	0.32	61,000
100	11,655 (10)	4	2	2	10,222 (10)	4	2	2	177	1.49	0.79	0.68	186	0.53	0.40	61,000
120	13,986 (12)	4	2	2	12,267 (12)	4	2	2	217	1.82	0.96	0.81	226	0.65	0.48	61,000

1. Utilizes magnetic step-down transformer
 2. For recommended lumen depreciation data see TD-13
 3. For more information on the IES BUG (Backlight-Uplight-Glare) Rating visit www.iesna.org/PDF/Erratas/TM-15-07/BugRatingsAddendum.pdf



General Description

Slim, low profile design minimizes wind load requirements. Fixture sides are rugged cast aluminum with integral, weather-tight LED driver compartments and high performance aluminum heatsinks. Convenient, interlocking mounting method. Mounting housing is rugged die cast aluminum and mounts to 3 – 6" square or round pole. Fixture is secured by two (2) 5/16-18 UNC bolts spaced on 2" centers. Includes leaf/debris guard. Five year limited warranty on fixture.

Electrical

Modular design accommodates varied lighting output from high power, white, 6000K (+/- 500K per full fixture), minimum 70 CRI, long life LED sources. 120–277V 50/60 Hz, Class 1 LED drivers are standard. 347–480V 50/60 Hz driver is optional. LED drivers have power factor >90% and THD <20% of full load. Units provided with integral 9kV surge suppression protection standard. Integral weather-tight electrical box with terminal strip for easy power hook-up. Surge protection tested in accordance with IEEE C62.41.2 and ANSI standard 62.41.2.

Testing & Compliance

UL listed in the U.S. and Canada for wet locations. Consult factory for CE Certified products. RoHS compliant. International Dark-Sky Association approved.

Finish

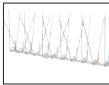
Exclusive Colorfast DeltaGuard® finish features an E-Coat epoxy primer with an ultra-durable silver powder topcoat, providing excellent resistance to corrosion, ultraviolet degradation and abrasion. Bronze, black, white and platinum bronze powder topcoats are also available. The finish is covered by our 10 year limited warranty.

Fixture and finish are endurance tested to withstand 5,000 hours of elevated ambient salt fog conditions as defined in ASTM Standard B 117.

Patents

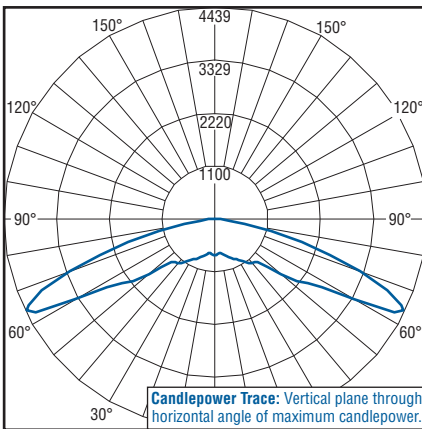
U.S. and international patents granted and pending. BetaLED is a division of Ruud Lighting, Inc. For a listing of Ruud Lighting, Inc. patents, visit www.uspto.gov.

Field-Installed Accessories

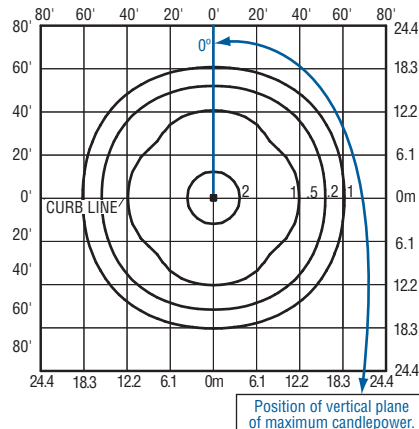


Bird Spikes
XA-BRDSPK

Photometrics



Independent Testing Laboratories certified test. Report No. ITL63746. Candlepower trace of 6000K, 120 LED Type V Medium area luminaire with 11,013 initial delivered lumens operating at 350mA. All published luminaire photometric testing performed to IESNA LM-79-08 standards.



Isofootcandle plot of 6000K, 120 LED Type V Medium area luminaire at 25' A.F.G. Luminaire with 10,758 initial delivered lumens operating at 350mA. Initial FC at grade.

THE EDGE™ EPA & Weight Calculations

# of LEDs	Approximate Weight 120–277V ¹	EPA & Weight Calculations				
		Single	2@ 180°	2@ 90°	3@ 90°	4@ 90°
		■	■-■	■-■-■	■-■-■-■	■-■-■-■-■
Fixed Arm Mount–Long						
20	23.0 lbs.	0.75	1.50	1.02	1.77	1.91
40	25.8 lbs.	0.75	1.50	1.02	1.77	1.91
60	29.1 lbs.	0.75	1.50	1.07	1.82	1.98
80	30.2 lbs.	0.75	1.50	1.11	1.86	2.04
100	34.4 lbs.	0.75	1.50	1.15	1.90	2.10
120	35.6 lbs.	0.75	1.50	1.19	1.94	2.16
140	42.0 lbs.	0.75	1.50	1.23	1.98	2.22
160	43.5 lbs.	0.75	1.50	1.27	2.02	2.28
180	44.2 lbs.	0.75	1.50	1.32	2.07	2.36
200	45.4 lbs.	0.75	1.50	1.36	2.11	2.42
220	48.7 lbs.	0.75	1.50	1.40	2.15	2.48
240	49.9 lbs.	0.75	1.50	1.44	2.19	2.54

1. Add 5 lbs. for transformer in 347–480V fixtures

