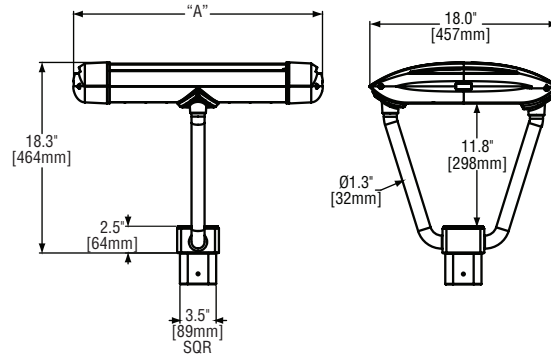


# ARE-EDG-5S-R4 THE EDGE® LED Area Light – Type V Short

Rev. Date: 8/23/11



# of LEDs	Dim. "A"
40	12.06" [306mm]
60	14.06" [357mm]
80	16.06" [408mm]
100	18.06" [459mm]
120	20.06" [510mm]
140	22.06" [560mm]
160	24.06" [611mm]
200	28.06" [713mm]
240	32.06" [814mm]

**Notes:**

Product	Family	Optic	Mounting	# of LEDs (x 10)	LED Series	Voltage	Color Options	Drive Current	Factory-Installed Options
ARE	EDG	5S <sup>1</sup>	R4 <sup>2</sup>	04 <sup>3</sup> 06 <sup>4</sup> 08 10 12 14 16 20 24	D	UL Universal 120-277V UH Universal 347-480V 12 120V 24 240V 27 277V 34 347V	SV Silver BK Black BZ Bronze PB Platinum WH White	350 350mA 525 <sup>5</sup> 525mA 700 <sup>6</sup> 700mA	43K 4300K Color Temperature <sup>7</sup> DIM 0-10V Dimming <sup>8,9,10</sup> F Fuse <sup>11,12,13</sup> HL Hi/Low (175/350/525, dual circuit input) <sup>14</sup> P Photocell <sup>15,16</sup> ML Multi-Level (75/525) <sup>14</sup>

**Footnotes**

- IESNA Type V Short distribution
- Spider mount, center direct fits inside 4" (102mm) square pole
- Uses four full 20 LED light bars with two blanks outside
- Uses five full 20 LED light bars with two blanks outside
- Available on fixtures with 40-160 LEDs
- Available on fixtures with 40-60 LEDs
- Color temperature per fixture; 6000K standard; minimum 70 CRI
- Control by others
- Refer to dimming spec sheet for availability and additional information
- Can't exceed specified drive current. Consult factory if exceeding drive current is necessary
- Not available when UH voltage is selected
- When code dictates fusing use time delay fuse
- Not available with all multi-level options. Refer to multi-level spec sheet for availability and additional information
- Refer to multi-level spec sheet for availability and additional information
- Must specify voltage other than UL or UH
- Photocell by others

**LED PERFORMANCE SPECS**

# of LEDs	Initial Delivered Lumens – Type V Short @ 6000K	B U G			Initial Delivered Lumens – Type V Short @ 4300K	B U G			System Watts 120-277V	Total Current @ 120V	Total Current @ 240V	Total Current @ 277V	Total Current @ 347V	Total Current @ 480V	L <sub>70</sub> Hours* @ 25° C (77° F)	50K Hours Lumen Maintenance Factor* @ 15° C (59° F)
		Rating**				Rating**										
<b>350mA Fixture Operating at 25° C (77° F)</b>																
40 <sup>3</sup>	4,472 (04)	2	1	1	4,122 (04)	2	1	1	47	0.40	0.21	0.19	0.15	0.12	>150,000	93%
60 <sup>4</sup>	6,622 (06)	3	1	1	6,103 (06)	3	1	1	68	0.58	0.30	0.26	0.20	0.16	>150,000	
80	8,829 (08)	3	1	1	8,137 (08)	3	1	1	90	0.77	0.38	0.34	0.26	0.20	>150,000	
100	11,009 (10)	3	1	2	10,146 (10)	3	1	2	111	0.95	0.47	0.42	0.32	0.24	>150,000	
120	13,210 (12)	4	1	2	12,175 (12)	3	1	2	132	1.15	0.56	0.50	0.38	0.28	>150,000	
140	15,342 (14)	4	1	2	14,140 (14)	4	1	2	157	1.34	0.67	0.61	0.47	0.35	149,000	
160	17,534 (16)	4	2	2	16,160 (16)	4	1	2	179	1.54	0.76	0.68	0.53	0.39	149,000	
200	21,918 (20)	4	2	2	20,200 (20)	4	2	2	221	1.92	0.95	0.84	0.65	0.48	149,000	
240	26,301 (24)	5	2	3	24,240 (24)	4	2	2	264	2.30	1.12	1.00	0.77	0.56	149,000	
<b>525mA Fixture Operating at 25° C (77° F)</b>																
40 <sup>3</sup>	6,261 (04)	3	1	1	5,771 (04)	3	1	1	70	0.57	0.29	0.26	0.21	0.16	136,000	92%
60 <sup>4</sup>	9,271 (06)	3	1	2	8,544 (06)	3	1	1	102	0.87	0.44	0.39	0.30	0.22	129,000	
80	12,361 (08)	4	2	2	11,392 (08)	3	1	2	133	1.14	0.56	0.49	0.39	0.29	129,000	
100	15,412 (10)	4	1	2	14,205 (10)	4	1	2	172	1.47	0.75	0.67	0.51	0.38	128,000	
120	18,495 (12)	4	2	2	17,045 (12)	4	1	2	204	1.76	0.88	0.78	0.60	0.44	128,000	
140	21,479 (14)	4	2	2	19,796 (14)	4	2	2	233	2.01	0.99	0.87	0.69	0.51	123,000	
160	24,548 (16)	4	2	2	22,624 (16)	4	2	2	265	2.29	1.11	0.98	0.78	0.57	123,000	
<b>700mA Fixture Operating at 25° C (77° F)</b>																
40 <sup>3</sup>	7,648 (04)	3	1	1	7,048 (04)	3	1	1	93	0.79	0.40	0.35	0.27	0.20	111,000	90%
60 <sup>4</sup>	11,323 (06)	3	1	2	10,436 (06)	3	1	2	137	1.18	0.59	0.51	0.39	0.29	111,000	

\* For recommended lumen maintenance factor data see TD-13

\*\* For more information on the IES BUG (Backlight-Uplight-Glare) Rating visit [www.iesna.org/PDF/Erratas/TM-15-07BugRatingsAddendum.pdf](http://www.iesna.org/PDF/Erratas/TM-15-07BugRatingsAddendum.pdf)

NOTE: All data subject to change without notice.

© 2011 BetaLED®, a division of Ruud Lighting • 1200 92nd Street • Sturtevant, WI 53177 • 800-236-6800 • [www.betaLED.com](http://www.betaLED.com)



Made in the U.S.A. of U.S. and imported parts.  
Meets Buy American requirements within the ARRA.



**General Description**

Slim, low profile design minimizes wind load requirements. Fixture sides are rugged cast aluminum with integral, weather-tight LED driver compartments and high performance aluminum heatsinks. Includes leaf/debris guard. Spider mount fits directly inside 4" (102mm) square pole and secures to tenon with eight set screws. Five year limited warranty on fixture.

**Electrical**

Modular design accommodates varied lighting output from high power, white, 6000K (+/- 500K per full fixture), minimum 70 CRI, long life LED sources. Optional 4300K (+/- 300K per full fixture) also available. 120–277V 50/60 Hz, Class 1 LED drivers are standard. 347–480V 50/60 Hz driver is optional. LED drivers have power factor >90% and THD <20% at full load. Units provided with integral 10kV surge suppression protection standard. Integral weather-tight electrical box with terminal strips (12Ga - 20Ga) for easy power hook-up. Surge protection tested in accordance with IEEE/ANSI C62.41.2.

**Testing & Compliance**

UL listed in the U.S. and Canada for wet locations. Consult factory for CE Certified products. Dark Sky Friendly. IDA Approved. RoHS Compliant.

Product qualified on the Design Lights Consortium ("DLC") Qualified Products List ("QPL") when ordered without the backlight control shield.



**Finish**

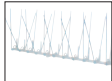
Exclusive Colorfast DeltaGuard® finish features an E-Coat epoxy primer with an ultra-durable silver powder topcoat, providing excellent resistance to corrosion, ultraviolet degradation and abrasion. Bronze, black, white and platinum bronze powder topcoats are also available. The finish is covered by our 10 year limited warranty.

Fixture and finish are endurance tested to withstand 5,000 hours of elevated ambient salt fog conditions as defined in ASTM Standard B 117.

**Patents**

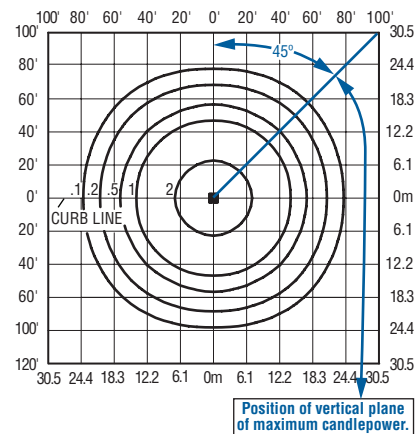
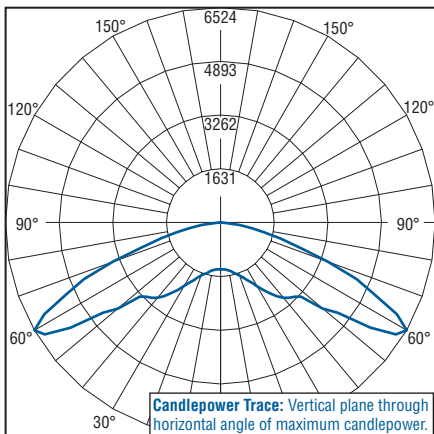
U.S. and international patents granted and pending. BetaLED is a division of Ruud Lighting, Inc. For a listing of Ruud Lighting, Inc. patents, visit [www.uspto.gov](http://www.uspto.gov).

**Field-Installed Accessories**



**Bird Spikes**  
XA-BRDSPK

**Photometrics**



Independent Testing Laboratories certified test. Report No. ITL68092 Candlepower trace of 4300K, 120 LED Type V Short area luminaire with 17,059 initial delivered lumens operating at 525mA. All published luminaire photometric testing performed to IESNA LM-79-08 standards.

Isofootcandle plot of 4300K, 120 LED Type V Short area luminaire at 25' (7.6m) A.F.G. Luminaire with 17,045 initial delivered lumens operating at 525mA. Initial FC at grade.

**THE EDGE® EPA & Weight Calculations**

# of LEDs	Approximate Weight 120–480V <sup>1</sup>	Post Top
<b>Post Top Mount</b>		
40	24.5 lbs. (11.1kg)	1.03
60	26.7 lbs. (12.1kg)	1.03
80	27.3 lbs. (12.4kg)	1.03
100	29.3 lbs. (13.3kg)	1.03
120	31.6 lbs. (14.3kg)	1.03
140	35.9 lbs. (16.3kg)	1.03
160	38.6 lbs. (17.5kg)	1.03
200	42.2 lbs. (19.1kg)	1.15
240	46.5 lbs. (21.1kg)	1.27

1. Add 5 lbs. (2.3kg) for transformer in 347–480V fixtures when multi-level options are selected

NOTE: All data subject to change without notice.

© 2011 BetaLED®, a division of Ruud Lighting • 1200 92nd Street • Sturtevant, WI 53177 • 800-236-6800 • [www.betaLED.com](http://www.betaLED.com)



Made in the U.S.A. of U.S. and imported parts.  
Meets Buy American requirements within the ARRA.

