



Notes:

Product	Family	Optic	Mounting	# of LEDs (x 10)	LED Series	Voltage	Color Options	Drive Current	Factory-Installed Options
CAN	304	5S ¹	RT5 ²	04 06	D	UL Universal 120–277V	SV Silver BZ Bronze BK Black WH White PB Platinum Bronze	525 525mA (Standard) 350 350mA	Please type additional options in manually on the lines provided above. 43K 4300K Color Temperature ³ F Fuse ML Multi-Level (75/525) ⁴

Footnotes

- 1. IESNA Type V Short distribution
- 2. Retrofit kit for use with Jet-Philips Series canopy luminaires
- 3. Color temperature per fixture; minimum 70 CRI
- 4. Refer to the 304 series multi level spec sheet for more information

LED PERFORMANCE SPECS

# of LEDs	Initial Delivered Lumens – Type V Short @ 6000K	B	U	G	Initial Delivered Lumens – Type V Short @ 4300K	B	U	G	System Watts 120–480V	Total Current @ 120V	Total Current @ 230V	Total Current @ 277V	Total Current @ 347V	Total Current @ 480V	L ₇₀ Hours** @ 25° C (77° F)	50K Hours Lumen Maintenance Factor @ 15° C (59° F)
		Rating***				Rating***										
350mA Fixture Operating at 25° C (77° F)																
40	4,594 (04)	2	1	1	4,234 (04)	2	1	1	47	0.39	0.23	0.19	0.15	0.11	>150,000	94%
60	6,787 (06)	3	1	1	6,255 (06)	3	1	1	68	0.59	0.33	0.27	0.20	0.15	>150,000	
525mA Fixture Operating at 25° C (77° F)																
40	6,432 (04)	3	1	1	5,928 (04)	3	1	1	68	0.58	0.33	0.27	0.21	0.16	>150,000	93%
60	9,501 (06)	3	1	2	8,757 (06)	3	2	2	105	0.91	0.48	0.40	0.33	0.22	143,000	

* Utilizes magnetic step-down transformer when 525mA drive current or multi-level options are selected ** For recommended lumen depreciation data see TD-13 *** For more information on the IES BUG (Backlight-Uplight-Glare) Rating visit www.iesna.org/PDF/Erratas/TM-15-07BugRatingsAddendum.pdf

NOTE: All data subject to change without notice.

© 2011 BetaLED®, a division of Ruud Lighting • 1200 92nd Street • Sturtevant, WI 53177 • 800-236-6800 • www.betaLED.com



Made in the U.S.A. of U.S. and imported parts.
Meets Buy American requirements within the ARRA.



General Description

Energy-efficient, long life LED upgrade for a nominal 22" X 22" surface mounted HID canopy luminaires. Reduces total ownership costs. Luminaire mounts directly to the existing HID housing by replacing existing door frame and lens assembly.

Luminaire is mounted to adapter panel in field. Panel is heavy gauge die-formed steel with exclusive DeltaGuard powder coat finish. Power luminaire includes cord whip to allow for ease of feed.

Optical unit is constructed of high performance aluminum extrusion with rugged die cast end caps for exceptional performance and durability.

Complete panel assembly is secured to the existing housing with 4 corner brackets and stainless steel screws. Luminaire is provided with two suspension stainless steel aircraft cables to allow panel assembly to hinge open and allow for hands-free field wiring.

Five year limited warranty on luminaire.

Electrical

Modular design accommodates varied lighting output from high brightness, white, 6000K (+/- 500k per full fixture), minimum 75 CRI, long life LED sources. Optional 4300K (+/- 300K per full fixture) also available. 120-277V 50/60 Hz Class 1 LED drivers are standard. LED drivers have power factor >90% and THD <20% at full load.

Testing & Compliance

UL classified in the U.S. and Canada for use with Jet-Philips Series Canopy Luminaires. Dark Sky Friendly. IDA Approved. RoHS Compliant.



Product with petroleum symmetric optic and sprakle petroleum optic qualified on the DesignLights Consortium ("DLC") Qualified Products List ("QPL").

Finish

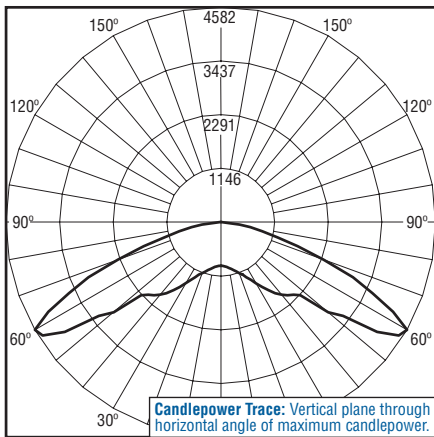
Exclusive Colorfast DeltaGuard® finish on all cast aluminum components, features an ECoat epoxy primer with an ultra-durable white powder topcoat. Provides excellent resistance to corrosion, ultraviolet degradation and abrasion. Clear anodized finish on extruded aluminum heat sink with white powder finish on all cast aluminum components and mounting plate is standard. The finish is covered by our 10 year warranty.

Patents

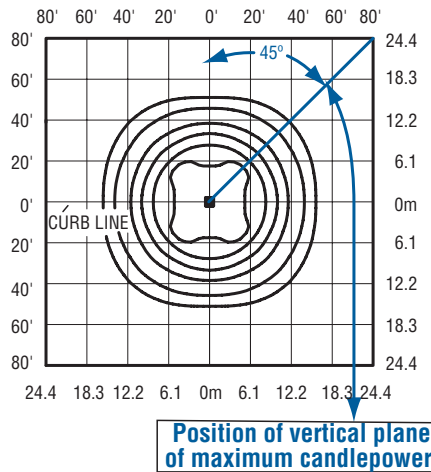
U.S. and international patents pending. BetaLED is a division of Ruud Lighting, Inc. For a listing of Ruud Lighting, Inc. patents, visit www.uspto.gov.

Photometrics

Field-Installed Accessories



Independent Testing Laboratories certified test. Report No. ITL66638. Candlepower trace of 6000K, 60 LED Type V Short luminaire with 10,893 initial delivered lumens operating at 700mA. All published luminaire photometric testing performed to IESNA LM-79-08 standards.



Isofootcandle plot of 6000K, 60 LED Type V Short 304 series parking structure luminaire at 15' A.F.G. Luminaire with 11,537 initial delivered lumens operating at 700mA. Initial FC at grade.

NOTE: All data subject to change without notice.

© 2011 BetaLED®, a division of Ruud Lighting • 1200 92nd Street • Sturtevant, WI 53177 • 800-236-6800 • www.betaLED.com



Made in the U.S.A. of U.S. and imported parts.
Meets Buy American requirements within the ARRA.

