

Notes:

Product	Family	Optic	Mounting	# of LEDs (x 10)	LED Series	Voltage	Color Options	Drive Current	Factory-Installed Options
CAN	304	5S ¹	RS ²	04 06	D	U Universal 120-277V	SV Silver BZ Bronze BK Black WH White PB Platinum Bronze	700 ³ 700mA (Standard) 525 525mA 350 350mA	Please type additional options in manually on the lines provided above. 43K 4300K Color Temperature ⁴ DIM 0-10V Dimming ^{5,6,7} F Fuse ⁸ ML Multi-Level (75/525) ⁹

Footnotes

- IESNA Type V Short distribution
- Recessed mount for single skin canopies
- Requires marked spacing 48" x 24" x 3" (48" luminaire to luminaire, 24" luminaire to side wall, 6" above luminaire)
- Color temperature per fixture; minimum 70 CRI
- Control by others
- Refer to the 304 series dimming spec sheet for availability and additional information
- Can't exceed specified drive current. Consult factory if exceeding drive current is necessary.
- When code dictates fusing use time delay fuse
- Refer to the 304 Series Multi-Level spec sheet for availability and additional information.

LED PERFORMANCE SPECS

# of LEDs	Initial Delivered Lumens – Type V Short @ 6000K	B	U	G	Initial Delivered Lumens – Type V Short @ 4300K	B	U	G	System Watts 120-480V	Total Current @ 120V	Total Current @ 230V	Total Current @ 277V	Total Current @ 347V	Total Current @ 480V	L ₇₀ Hours** @ 25° C (77° F)	50K Hours Lumen Maintenance Factor @ 15° C (59° F)
		Rating***				Rating***										
350mA Fixture Operating at 25° C (77° F)																
40	4,594 (04)	2	1	1	4,234 (04)	2	1	1	47	0.39	0.23	0.19	0.15	0.11	>150,000	94%
60	6,787 (06)	3	1	1	6,255 (06)	3	1	1	68	0.59	0.33	0.27	0.20	0.15	>150,000	
525mA Fixture Operating at 25° C (77° F)																
40	6,432 (04)	3	1	1	5,928 (04)	3	1	1	68	0.58	0.33	0.27	0.21	0.16	>150,000	93%
60	9,501 (06)	3	1	2	8,757 (06)	3	2	2	105	0.91	0.48	0.40	0.33	0.22	143,000	
700mA (Standard) Fixture Operating at 25° C (77° F)																
40	7,810 (04)	3	1	1	7,198 (04)	3	1	1	94	0.81	0.44	0.36	0.28	0.20	131,000	91%
60	11,537 (06)	3	1	2	10,633 (06)	3	2	2	141	1.26	0.66	0.54	0.39	0.28	121,000	

* For recommended lumen depreciation data see TD-13

** For more information on the IES BUG (Backlight-Uplight-Glare) Rating visit www.iesna.org/PDF/Erratas/TM-15-07BugRatingsAddendum.pdf

NOTE: All data subject to change without notice.

© 2011 BetaLED®, a division of Ruud Lighting • 1200 92nd Street • Sturtevant, WI 53177 • 800-236-6800 • www.betaLED.com



Made in the U.S.A. of U.S. and imported parts.
Meets Buy American requirements within the ARRA.



General Description

Slim, low profile design. Fixture is constructed from rugged die-cast and extruded aluminum components. LED driver is mounted in a sealed weather-tight center chamber that allows for access from below the fixture. High performance heatsinks specifically designed for LED canopy application. Luminaire mounts directly to the canopy deck and is secured in place with die-cast aluminum trim frame. Luminaire housing is provided with factory applied foam gasket and provides for a watertight seal between luminaire housing and canopy deck. Suitable for use in single skin canopies with 16" (406 mm) wide panels. See 227 Series for canopies using 12" deck sections. Designed for canopies of 19 – 22 gauge (maximum 0.040" [1 mm] thickness).

Five year limited warranty on luminaire.

Electrical

Modular design accommodates varied lighting output from high power, white, 6000K (+/- 500k per full fixture), minimum 70 CRI, long life LED sources. Optional 4300K (+/-300K per full fixture) also available. 120–277V 50/60 Hz, Class 1 LED drivers are standard. LED drivers have power factor >90% and THD <20% at full load. Units provided with integral 10kV surge suppression protection standard. Surge protection tested in accordance with IEEE C62.41.2 and ANSI standard 62.41.2.

Testing & Compliance

UL listed in the US and Canada for wet locations and enclosure classified IP66 per IEC 529. Consult factory for CE certified product. Dark Sky Friendly. IDA Approved. RoHS Compliant.



Product with petroleum symmetric optic and sparkle petroleum optics qualified on the Design Lights Consortium ("DLC") Qualified Products List ("QPL")

Finish

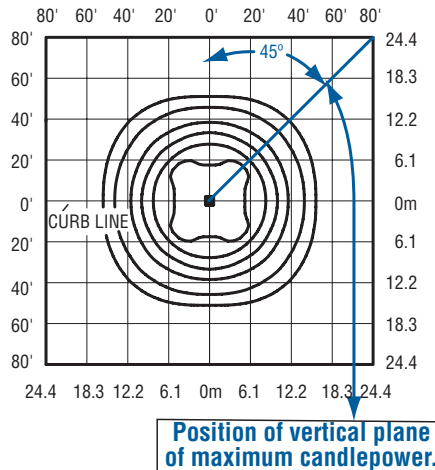
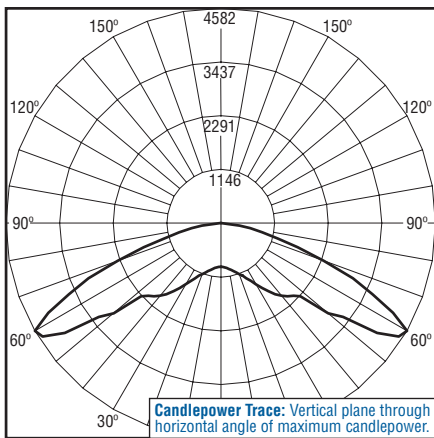
Exclusive Colorfast DeltaGuard® finish on all cast aluminum components, features an E-Coat epoxy primer with an ultra-durable white powder topcoat. Provides excellent resistance to corrosion, ultraviolet degradation and abrasion. Clear anodized finish on extruded aluminum heat sink with white powder finish on all cast aluminum components is standard. Bronze, black, silver and platinum bronze powder topcoats are also available. The finish is covered by our 10 year warranty.

Fixture and finish are endurance tested to withstand 5,000 hours of elevated ambient salt fog conditions as defined in ASTM Standard B 117.

Patents

U.S. and international patents granted and pending. BetaLED is a division of Ruud Lighting, Inc. For a listing of Ruud Lighting, Inc. patents, visit www.uspto.gov.

Photometrics



Independent Testing Laboratories certified test. Report No. ITL66638. Candlepower trace of 6000K, 60 LED Type V Short luminaire with 10,893 initial delivered lumens operating at 700mA. All published luminaire photometric testing performed to IESNA LM-79-08 standards.

Isofootcandle plot of 6000K, 60 LED Type V Short 304 series parking structure luminaire at 15' A.F.G. Luminaire with 11,571 initial delivered lumens operating at 700mA. Initial FC at grade.

Field-Installed Accessories

Retrofit kits available. Please consult factory for details.

NOTE: All data subject to change without notice.

© 2011 BetaLED®, a division of Ruud Lighting • 1200 92nd Street • Sturtevant, WI 53177 • 800-236-6800 • www.betaLED.com



Made in the U.S.A. of U.S. and imported parts.
Meets Buy American requirements within the ARRA.

