

# of LEDs	Dim. "A"
40	15.75"
60	17.75"
80	15.75"
100	17.75"
120	19.75"
140	21.75"
160	23.75"
180	25.75"
200	27.75"
220	29.75"
240	31.75"

Notes:

Product	Family	Optic in Degrees	Mounting	# of LEDs (x 10)	LED Series	Voltage	Color Options	Factory-Installed Options
CAN	EDG	25 ¹	DM ²	04 ³ 06 ⁴ 08 10 12 14 16 18 20 22 24	C	UL Universal 120–277V UH Universal 347–480V 12 24 240V 27 277V 34 347V	SV Silver BK Black BZ Bronze PB Platinum Bronze WH White	Please type additional options in manually on the lines provided above. 43K 4300K Color Temperature ⁵ 525 525mA Drive Current ^{6,7} DIM5 0–10V Dimming ^{8,9} F Fuse ^{10,11} HL Hi/Low (175/350/525, dual circuit input) ¹² P Photocell ^{13,14} TL Two-Level (175/525 w/ integrated sensor control) ¹² TL2 Two-Level (0/350 w/ integrated sensor control) ¹² TL3 Two-Level (0/525 w/ integrated sensor control) ¹²

Footnotes

- Distribution similar to narrow flood (25°)
- Direct mount
- Uses 80 LED size with two blanks in outside positions
- Uses 100 LED size with two blanks in outside positions
- Color temperature per fixture; minimum 70 CRI
- Driver operates at 525mA instead of the standard 350mA providing a higher lumen output and a shorter life
- Available on fixtures with 40–120 LEDs
- Control by others
- Refer to dimming spec sheet for availability and additional information
- When code dictates fusing use time delay fuse
- Not available when UH voltage is selected
- Refer to multi-level spec sheet for availability and additional information
- This option not available with all multi-level options. Refer to multi-level spec sheet for more information
- Must specify voltage other than UL or UH

LED PERFORMANCE SPECS

# of LEDs	Initial Delivered Lumens – 25° Flood Optic @ 6000K	Initial Delivered Lumens – 25° Flood Optic @ 4300K	System Watts 120–277V	Total Current @ 120V	Total Current @ 230V	Total Current @ 277V	System Watts 347–480V*	Total Current @ 347V	Total Current @ 480V	L ₇₀ Hours** @ 25° C (77° F)
350mA (Standard) Fixture Operating at 25° C (77° F)										
40 ³	3,875 (04)	3,398 (04)	49	0.41	0.23	0.20	51	0.15	0.12	105,000
60 ⁴	5,812 (06)	5,098 (06)	71	0.60	0.32	0.28	74	0.22	0.17	105,000
80	7,749 (08)	6,797 (08)	93	0.78	0.41	0.35	96	0.28	0.21	105,000
100	9,686 (10)	8,496 (10)	116	0.98	0.52	0.43	119	0.35	0.26	105,000
120	11,624 (12)	10,195 (12)	139	1.17	0.61	0.52	141	0.41	0.30	105,000
140	13,561 (14)	11,895 (14)	164	1.39	0.74	0.63	170	0.49	0.35	105,000
160	15,498 (16)	13,594 (16)	186	1.58	0.83	0.71	192	0.55	0.40	105,000
180	17,436 (18)	15,293 (18)	211	1.77	0.93	0.79	215	0.62	0.45	105,000
200	19,373 (20)	16,992 (20)	233	1.97	1.03	0.87	237	0.68	0.49	105,000
220	21,310 (22)	18,692 (22)	256	2.16	1.13	0.95	259	0.75	0.54	105,000
240	23,247 (24)	20,391 (24)	279	2.35	1.23	1.03	282	0.81	0.59	105,000
525mA Fixture Operating at 25° C (77° F)										
40 ³	5,037 (04)	4,418 (04)	69	0.58	0.31	0.27	75	0.22	0.19	61,000
60 ⁴	7,555 (06)	6,627 (06)	110	0.92	0.49	0.41	116	0.33	0.27	61,000
80	10,074 (08)	8,836 (08)	138	1.16	0.62	0.54	145	0.42	0.32	61,000
100	12,592 (10)	11,045 (10)	177	1.49	0.79	0.68	186	0.53	0.40	61,000
120	15,111 (12)	13,254 (12)	217	1.82	0.96	0.81	226	0.65	0.48	61,000

* Utilizes magnetic step-down transformer when 525mA drive current or multi-level options are selected

** For recommended lumen depreciation data see TD-13



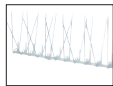
General Description

Slim, low profile, easy mounting below deck design. Luminaire sides are rugged cast aluminum with integral, weather-tight LED driver compartments and high performance aluminum heatsinks specifically designed for LED lighting application. J-Box sized to fit through existing 4-inch diameter mount holes and is designed for through wiring and wet location installations. Luminaire mounts directly to canopy with lag bolts (by others). When mounting to solid surfaces, Adaptor Plate Kit accessory is required. Mating surface is gasketed to prevent water leak through. Includes bug/bird guard. Five year limited warranty on fixture.

Electrical

Modular design accommodates varied lighting output from high power, white, 6000K (+/- 500K per full fixture), minimum 70 CRI, long life LED sources. 120–277V 50/60 Hz, Class 1 LED drivers are standard. 347–480V 50/60 Hz driver is optional. LED drivers have power factor >90% and THD <20% of full load. Units provided with integral 9kV surge suppression protection standard. Surge protection tested in accordance with IEEE C62.41.2 and ANSI standard 62.41.2.

Field-Installed Accessories



Bird Spikes
XA-BRDSPK



Adaptor Plate Kit
XA-CLSB16
For use when mounting fixture to solid surfaces.

Testing & Compliance

UL listed in the U.S. and Canada for wet locations and enclosure classified IP66 per IEC 529. Consult factory for CE Certified products. RoHS compliant. International Dark-Sky Association approved.

Finish

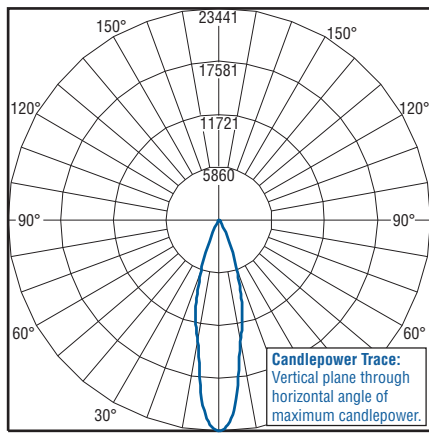
Exclusive Colorfast DeltaGuard® finish features an E-Coat epoxy primer with an ultra-durable silver powder topcoat, providing excellent resistance to corrosion, ultraviolet degradation and abrasion. Bronze, black, white and platinum bronze powder topcoats are also available. The finish is covered by our 10 year limited warranty.

Fixture and finish are endurance tested to withstand 5,000 hours of elevated ambient salt fog conditions as defined in ASTM Standard B 117.

Patents

U.S. and international patents granted and pending. BetaLED is a division of Ruud Lighting, Inc. For a listing of Ruud Lighting, Inc. patents, visit www.uspto.gov.

Photometrics



Independent Testing Laboratories certified test. Report No. ITL64084. Candlepower trace of 6000K, 60 LED 25° flood luminaire with 6,114 initial delivered lumens operating at 350mA. All published luminaire photometric testing performed to IESNA LM-79-08 standards.

Coefficients of Utilization

Effective Floor Cavity Reflectance = 0.20

CC	80				70				50				30				10				0
	70	50	30	10	70	50	30	10	50	30	10	50	30	10	50	30	10	50	30	10	100
0	119	119	119	119	116	116	116	116	111	111	111	106	106	106	102	102	102	102	102	102	100
1	115	112	110	108	112	110	108	107	106	105	103	102	101	100	99	98	97	99	98	97	96
2	110	106	103	100	108	105	102	99	102	99	97	99	97	95	96	94	93	96	94	93	92
3	106	101	97	94	104	100	96	93	97	94	92	95	93	90	93	91	89	93	91	89	88
4	103	97	92	89	101	96	92	88	93	90	87	92	89	86	90	87	85	90	87	85	84
5	99	93	88	85	98	92	87	84	90	86	84	88	85	83	87	84	82	87	84	82	81
6	96	89	84	81	94	88	84	81	87	83	80	85	82	80	84	81	79	84	81	79	78
7	93	85	81	78	91	85	81	77	84	80	77	83	79	77	82	79	76	82	79	76	75
8	90	82	78	75	89	82	78	75	81	77	74	80	77	74	79	76	74	79	76	74	73
9	87	80	75	72	86	79	75	72	78	74	72	78	74	72	77	74	71	77	74	71	70
10	84	77	73	70	84	77	72	70	76	72	69	75	72	69	75	71	69	75	71	69	68

Luminance Data

Angle	Average (0°)	Average (45°)	Average (90°)
45°	5357	5357	5357
55°	4226	4226	4226
65°	3298	3298	3298
75°	1756	1756	1756
85°	0	0	0

Zonal Lumens and Percentages

Zone	Lumens	% Lamp	% Fixture
0-30	5617.65	91.90	91.90
0-40	5879.30	96.20	96.20
0-60	6050.53	99.00	99.00
0-90	6113.61	100.00	100.00
90-120	0.00	0.00	0.00
90-130	0.00	0.00	0.00
90-150	0.00	0.00	0.00
90-180	0.00	0.00	0.00
0-180	6113.61	100.00	100.00

