

Notes:

Product	Family	Optic	Mounting	# of LEDs (x 10)	LED Series	Voltage	Color Options	Drive Current	Factory-Installed Options
CAN	227	5S ¹	RT6 ²	03 06	D	UL Universal 120-277V UH Universal 277-480V	SV Silver BZ Bronze BK Black WH White (Standard) PB Platinum Bronze	700 700mA (Standard) 525 525mA 350 350mA	40K 4000K Color Temperature ³ F Fuse ^{4,5}

Footnotes

1. IESNA Type V Short distribution
2. Retrofit kit for use with LSI Richmond or Whiteway Civic Recessed luminaires
3. Color temperature per fixture; 5700K standard; minimum 70 CRI
4. Not available when UH voltage is selected
5. When code dictates fusing use time delay fuse

LED PERFORMANCE SPECS

# of LEDs	Initial Delivered Lumens – Sparkle Petroleum @ 5700K	B U G			Initial Delivered Lumens – Sparkle Petroleum @ 4000K	B U G			System Watts 120-480V	Total Current @ 120V	Total Current @ 208V	Total Current @ 240V	Total Current @ 277V	Total Current @ 347V	Total Current @ 480V	L ₇₀ Hours* @ 25° C (77° F)	50K Hours Lumen Maintenance Factor* @ 15° C (59° F)
		Rating**				Rating**											
350mA Fixture Operating at 25° C (77° F)																	
30	3,338 (03)	2	0	1	3,076 (03)	2	0	1	37	0.30	0.19	0.17	0.17	0.12	0.10	> 150,000	92%
60	6,675 (06)	3	0	1	6,152 (06)	3	0	1	69	0.57	0.34	0.30	0.27	0.21	0.16	> 150,000	
525mA Fixture Operating at 25° C (77° F)																	
30	4,673 (03)	2	0	1	4,306 (03)	2	0	1	53	0.44	0.26	0.24	0.21	0.17	0.13	> 150,000	90%
60	9,345 (06)	3	0	1	8,613 (06)	3	0	1	104	0.87	0.51	0.46	0.39	0.31	0.23	143,000	
700mA (Standard) Fixture Operating at 25° C (77° F)																	
30	5,674 (03)	3	0	1	5,229 (03)	3	0	1	0.61	0.36	0.31	0.28	0.22	0.16	131,000	89.3%	89%
60	11,348 (06)	3	0	2	10,459 (06)	3	0	2	1.17	0.68	0.60	0.52	0.41	0.30	123,000	88.7%	

*For recommended lumen maintenance data see TD-13

** For more information on the IES BUG (Backlight-Uplight-Glare) Rating visit www.iesna.org/PDF/Erratas/TM-15-11BugRatingsAddendum.pdf



General Description

Energy-efficient, long life LED upgrade for a LSI Richmond or Whiteway Civic recessed mounted HID canopy luminaires. Reduces total ownership costs. Luminaire mounts directly to the existing HID housing by replacing existing door frame and lens assembly.

Hinge and Latch Brackets are preassembled to the optical unit and is factory wired to the LED driver. Brackets are made out of heavy gauge die-formed steel with exclusive DeltaGuard powder coat finish. Hinge brackets allows luminaire to hinge open and provide for hands-free field wiring.

Optical unit is constructed of high performance aluminum extrusion with rugged die cast end caps for exceptional performance and durability.

Heavy gauge die-formed aluminum trim plate with exclusive DeltaGuard powder coat finish completes assembly. Plate is secured in place with stainless steel screws and is provided with factory installed foam gasket to keep water and other elements from entering the luminaire.

Five year limited warranty on luminaire.

Electrical

Modular design accommodates varied lighting output from high brightness, white, 5700K (+/- 500K per full fixture), minimum 70 CRI, long life LED sources. Optional 4000K (+/- 300K per full fixture) also available. 120-277V 50/60 Hz Class 1 LED drivers are standard. 347-480V 50/60 Hz option is available. LED drivers have power factor >90% and THD <20% at full load. Units provided with integral 10kV surge suppression protection standard. Surge protection tested in accordance with IEEE/ANSI 62.41.2.

Testing & Compliance

UL classified in the U.S. and Canada for use with LSI Richmond or Whiteway Civic Recessed Luminaires. Dark Sky Friendly. IDA Approved. RoHS compliant.

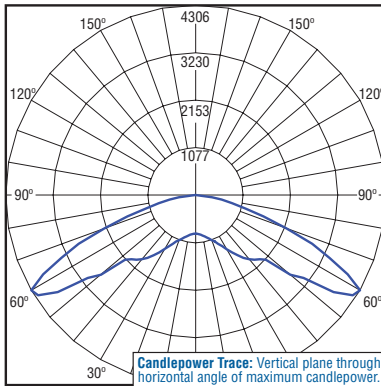
**Finish**

Exclusive ColorFast DeltaGuard® finish features an E-Coat epoxy primer with an ultra durable white powder topcoat, providing excellent resistance to corrosion, ultraviolet degradation and abrasion. Bronze, black, silver, and platinum bronze topcoats are also available. Clear anodized finish on extruded aluminum heat sink with white powder finish on all cast aluminum components and mounting plate is standard. The finish is covered by our 10 year warranty.

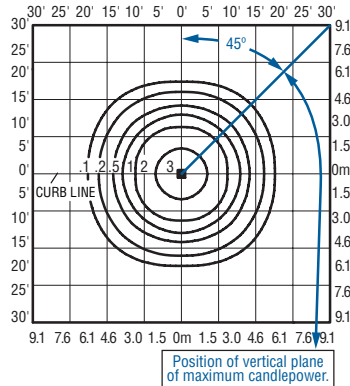
Fixture and finish are endurance tested to withstand 5,000 hours of elevated ambient salt fog conditions as defined in ASTM Standard B 117.

Patents

U.S. and international patents pending. BetaLED is a division of Ruud Lighting, Inc. For a listing of Ruud Lighting, Inc. patents, visit www.uspto.gov.

Field-Installed Accessories**Photometrics**

Candlepower trace of 6000K, 60 LED recessed canopy luminaire with IESNA Type V Short optic. Luminaire with 11,822 initial delivered lumens operating at 700mA. Configured from ITL67156 PKG-304-5S*-D-UL-700. All published luminaire photometric testing performed to IESNA LM-79-08 standards.



Isofootcandle plot of 5700K, 60 LED recessed canopy luminaire with Type V Short optic mounted at 15' (4.6m) A.F.G. Luminaire with 9,345 initial delivered lumens operating at 525mA. Initial FC at grade.

