

## ESA-ADR-614-C-LWW

### DESCRIPTION

Lensed wall wash/downlight luminaire with 6" round aperture, designed for 14 high output LEDs. Optical system incorporates low brightness reflector/cone with a convex spread lens. LEDs are surrounded by a unique chimney reflector design that assures no light leaks and maximum light output, evenly distributed from ceiling to floor.

### FEATURES

- Luminaire uses 14 high output LEDs, tolerance to be within a 2-step McAdam Ellipse. See table for specific color tolerance (at right).
- Axial & tilted axial TIR nano optics on each individual LED to maximize light delivered through aperture.
- Low brightness spun Alzak<sup>®</sup> aluminum reflector/cone, 0.06" thick with polished radius and continuous self-flange.
- Satin Glow Clear finish, standard.
- Convex textured 70° spread lens.
- Torsion springs for ease of installation and proper trim alignment.
- Top access
- 2" aperture throat to accommodate all standard and extra-thick ceilings and provide flexibility in mounting within grid.
- Custom heatpipe to optimize cooling of LEDs.
- Aluminum light engine housing with patented Slideways™ feature for ease of maintenance from below the ceiling, also provides optical alignment. Interior surface is painted matte black to suppress stray light leaks.
- Provided with quick mounting brackets for optional carrying channels.
- High Efficiency constant current drivers, 120-277VAC input, 525mA drive current.
- 0-10V dimming, standard. 100%-10% full-range continuous dimming.
- Patented Slideways™ feature for ease of maintenance from below the ceiling.
- Light engine, optics, and driver accessible from above or below ceiling.
- UL/CUL listed for thru-wiring 8#12AWG-90°C and damp location.
- Thermally protected.

### COMPANION LUMINAIRES

#### LED Downlight

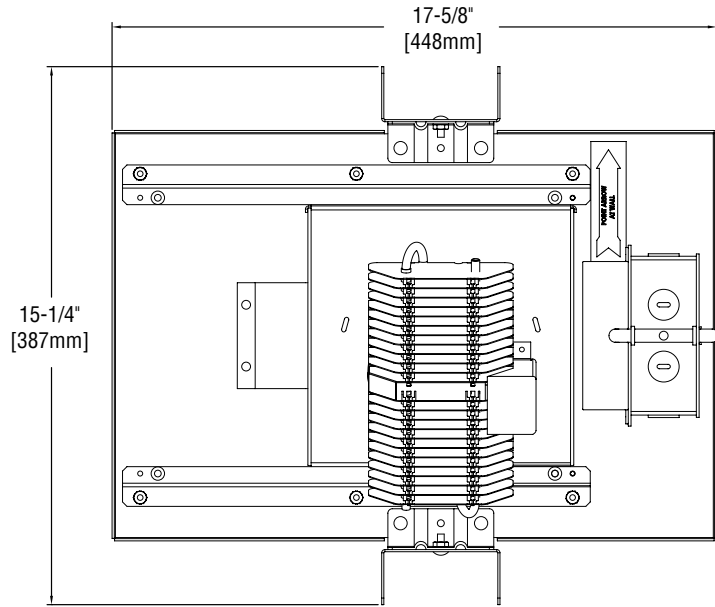
ESA-ADR-628-C-WD-SGCF

#### LED Adjustable

ESA-ADR-614-C-NDADJ-SGCF

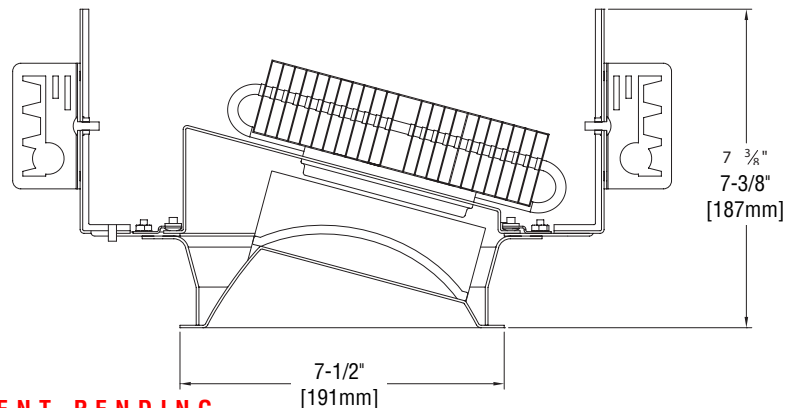
#### Notes:

## LED Lensed Wall Wash – Round 6" Aperture



Recommended Ceiling Cutout 7"

Color Tolerance	
2700K	+/- 42K
3000K	+/- 50K
3500K	+/- 63K
4250K	+/- 95K



**PATENT PENDING**

US7478931 CA2560566

RECESSED LED

Family/ Series	Product	Aperture (Inches)	LED Count (# of LEDs)	LED Performance Generation	Optic	Reflector/Cone Finish	Flange Finish	Voltage	Drive Current	Options
<b>ESA</b>	<b>ADR</b>	6	14	<b>C</b>	<b>LWW</b>	<b>SSGC</b> Soft Satin Glow Al Clear <b>SSGGR</b> Soft Satin Glow Al Graphite <b>SSGBR</b> Soft Satin Glow Al Bronze <b>SSGCG</b> Soft Satin Glow Al Champagne Gold <b>SSGPE</b> Soft Satin Glow Al Pewter <b>SSGWH</b> Soft Satin Glow Al Wheat <b>SSGB</b> Soft Satin Glow Al Black <b>W</b> White Paint	<b>FF</b> Flat Flange <b>WF</b> White Flange <b>XF</b> Custom Color Flange	<b>120</b> 120V <b>277</b> 277V	<b>525</b> 525mA	Please type additional options in manually on the lines provided below. <b>27K</b> 2700K (90 Nominal CRI) <b>30K</b> 3000K (85+ CRI) <b>35K</b> 3500K (80+ CRI) <b>43K</b> 4250K (70+ CRI) <b>DH</b> Dimming Lutron HiLume (525mA) <b>FS</b> Fusing <b>MC</b> Mounting Channels <b>ES</b> Flangeless

Example:

**ESA ADR 6 14 C LWW SSGC FF 120 525**  
 © 2011 BetaLED® • 1200 92nd Street • Sturtevant, WI 53177 • 800-236-6800 • www.BetaLED.com



## PHOTOMETRICS

LED COLOR MULTIPLIER	COLOR TEMPERATURE	LUMEN MULTIPLIER	COLOR TEMPERATURE	LUMEN MULTIPLIER
		2700K	0.93	3500K
	3000K	1.00	4250K	1.14

### ESAADR614CLWWSGCFF12035K

LED Count: 14  
 Efficacy: 40.8 Lm/W  
 Color Temperature: 3500K  
 Drive Current: 525mA  
 Delivered Lumens: 1044  
 Test No.: LTL19916

### CONE OF LIGHT - WALL WASH

Distance from ceiling	3' from wall				4' from wall	
	3' apart		4' apart		4' apart	
	center line	mid point	center line	mid point	center line	mid point
1'	1	0	1	0	0	0
2'	10	7	9	4	2	1
3'	23	20	19	13	7	6
4'	27	26	22	19	13	11
5'	27	26	21	18	15	15
6'	22	22	17	16	16	15
7'	18	18	14	14	14	14
8'	15	16	12	12	12	12
9'	14	13	11	10	11	11
10'	12	12	9	9	9	10

RECESSED LED

All photometric files available for your convenience at our web site: [www.betaled.com](http://www.betaled.com)