

ESA-ADR-628-C

DESCRIPTION

Downlight luminaire with 6" round aperture, designed for 28 high output LEDs maximum. Two piece optical assembly provides a broad, even light distribution, combining low brightness, with maximum visual cutoff and efficiency. Three light distributions available – narrow, medium, and wide

FEATURES

- Luminaire uses 14, or 28 high output LEDs, tolerance to be within a 2-step McAdam Ellipse. See table for specific color tolerance (at right).
- Axial and Tilted Axial TIR nano optic on each individual LED to maximize light delivered through aperture.
- Light distribution available in narrow, medium, or wide.
- Low brightness parabolic spun Alzak aluminum cone, 0.06" thick with polished radius and continuous self-flange.
- Soft satin Glow finish, standard.
- Precision nickel plated cone retainers assure that the lower cone is held in position.
- Formed cone blackout baffle to minimize stray light.
- 2" aperture throat to accommodate all standard and extra-thick ceilings and provide flexibility in mounting within grid.
- Custom heatpipe to optimize cooling of LEDs.
- Provided with quick mounting brackets for optional carrying channels.
- High Efficiency constant current driver, 120-277VAC input, 525mA drive current.
- 0-10V dimming, standard. 100%-10% full-range continuous dimming.
- Light engine, optics, and driver(s) accessible from below ceiling.
- UL/CUL listed for thru-wiring 8#12AWG-90°C and damp location.
- Thermally protected.

COMPANION LUMINAIRES

LED Adjustable Downlight

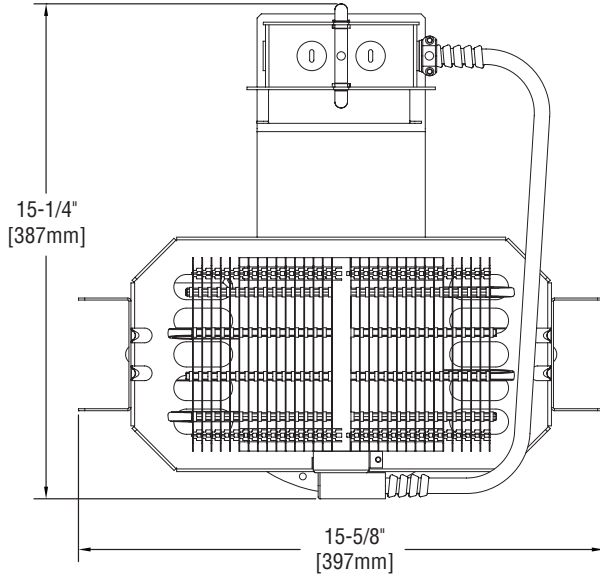
ESA-ADR-614-C-NDADJ-SGCF

LED Lensed Wallwash

ESA-ADR-614-C-LWW-SGCF

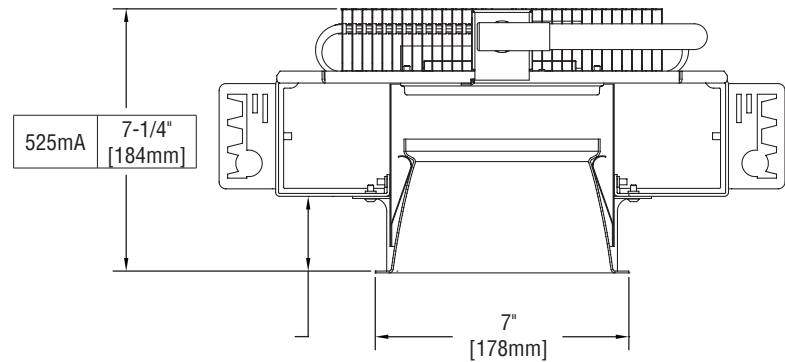
Notes:

LED Architectural Downlight – Round 6" Aperture



Recommended Ceiling Cutout 6-1/2"

Color Tolerance	
2700K	+/- 42K
3000K	+/- 50K
3500K	+/- 63K
4250K	+/- 95K



PATENT PENDING

Family/ Series	Product	Aperture (Inches)	LED Count (# of LEDs)	LED Performance Generation	Optic	Reflector/Cone Finish	Flange Finish	Voltage	Drive Current	Options		
ESA	ADR	6	14	C	WD	SSGC	FF	120 120V	525 525mA	27K		
			28		MD	SSGGR	WF			30K		
		MD	SSGBR	XF	SSGCG	SSGPE	SSGWH	SSGB	W	277 277V	35K	
											43K	
		DM	FS	SCA	MC	WL	ES	TR				

Please type additional options in manually on the lines provided below.

Example:

ESA ADR 6 28 C WD SSGC FF 120 525

© 2011 BetaLED® • 1200 92nd Street • Sturtevant, WI 53177 • 800-236-6800 • www.BetaLED.com



NOTE: All data subject to change without notice.



Made in the U.S.A. of U.S. and imported parts. Meets Buy American requirements within the ARRA.

Rev. Date: L4-07/22/11

BetaLED reserves the right to change specifications or materials that will not affect product function.

RECESSED LED

PHOTOMETRICS

LED COLOR MULTIPLIER	COLOR TEMPERATURE		LUMEN MULTIPLIER	
	2700K	3000K	0.93	1.00
	3500K	4250K	1.00	1.14

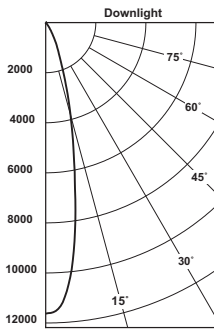
ESAADR628CND5GCF12052535K

LED Count: 28
Efficacy: 50.4 Lm/W
S/M: 0.38
Color Temperature: 3500K
Drive Current: 525mA
Delivered Lumens: 2659
Test No.: LTL20040

LUMINANCE DATA

candela/meter²

VERTICAL ANGLE	AVERAGE
45°	2097
55°	1068
65°	610
75°	374
85°	370



CANDELA DISTRIBUTION

DEGREES	CD
0°	11626
5°	10488
15°	3825
25°	1081
35°	259
45°	27
55°	11
65°	5
75°	2
85°	1
90°	0

CONE OF LIGHT

DISTANCE FROM WORKPLANE	FOOTCANDLES	BEAM DIAMETER
6'	323	2.4'
8'	182	3.0'
10'	116	3.8'
12'	81	4.6'
14'	59	5.4'

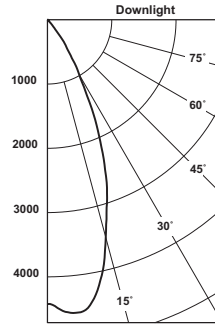
ESAADR628CND5GCF12052535K

LED Count: 28
Efficacy: 49.1 Lm/W
S/M: 0.73
Color Temperature: 3500K
Drive Current: 525mA
Delivered Lumens: 2623
Test No.: LTL20036

LUMINANCE DATA

candela/meter²

VERTICAL ANGLE	AVERAGE
45°	3305
55°	1654
65°	943
75°	531
85°	315



CANDELA DISTRIBUTION

DEGREES	CD
0°	4424
5°	4580
15°	3504
25°	1810
35°	506
45°	43
55°	17
65°	7
75°	3
85°	1
90°	0

CONE OF LIGHT

DISTANCE FROM WORKPLANE	FOOTCANDLES	BEAM DIAMETER
6'	123	4.4'
8'	69	5.8'
10'	44	7.2'
12'	31	8.6'
14'	23	10.0'

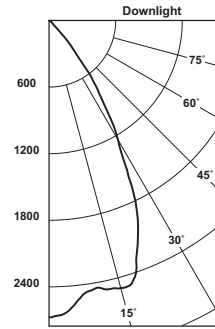
ESAADR628CWD5GCF12052535K

LED Count: 28
Efficacy: 45.5 Lm/W
S/M: 0.95
Color Temperature: 3500K
Drive Current: 525mA
Delivered Lumens: 2403
Test No.: LTL20209

LUMINANCE DATA

candela/meter²

VERTICAL ANGLE	AVERAGE
45°	6642
55°	2602
65°	1468
75°	819
85°	451



CANDELA DISTRIBUTION

DEGREES	CD
0°	2672
5°	2569
15°	2533
25°	1879
35°	759
45°	84
55°	28
65°	11
75°	4
85°	1
90°	0

CONE OF LIGHT

DISTANCE FROM WORKPLANE	FOOTCANDLES	BEAM DIAMETER
6'	74	5.8'
8'	42	7.6'
10'	27	9.6'
12'	19	11.4'
14'	14	13.2'

PHOTOMETRICS - LENSED

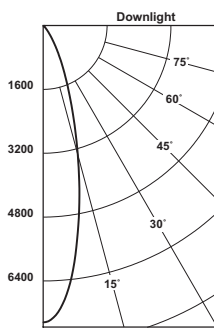
ESAADR628CND5GCF12052535KLM

LED Count: 28
Efficacy: 44.8 Lm/W
S/M: 0.46
Color Temperature: 3500K
Drive Current: 525mA
Delivered Lumens: 2362
Test No.: LTL20042

LUMINANCE DATA

candela/meter²

VERTICAL ANGLE	AVERAGE
45°	5378
55°	1971
65°	827
75°	318
85°	0



CANDELA DISTRIBUTION

DEGREES	CD
0°	7438
5°	6760
15°	3336
25°	1163
35°	321
45°	69
55°	21
65°	6
75°	1
85°	0
90°	0

CONE OF LIGHT

DISTANCE FROM WORKPLANE	FOOTCANDLES	BEAM DIAMETER
6'	207	2.8'
8'	116	3.8'
10'	74	4.6'
12'	52	5.4'
14'	38	6.4'

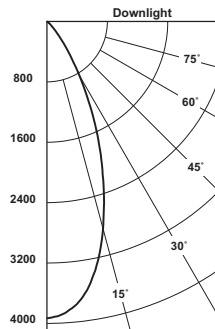
ESAADR628CND5GCF12052535KLM

LED Count: 28
Efficacy: 42.8 Lm/W
S/M: 0.68
Color Temperature: 3500K
Drive Current: 525mA
Delivered Lumens: 2289
Test No.: LTL20038

LUMINANCE DATA

candela/meter²

VERTICAL ANGLE	AVERAGE
45°	8036
55°	2578
65°	1175
75°	512
85°	127



CANDELA DISTRIBUTION

DEGREES	CD
0°	3933
5°	3813
15°	2865
25°	1512
35°	505
45°	104
55°	27
65°	9
75°	2
85°	0
90°	0

CONE OF LIGHT

DISTANCE FROM WORKPLANE	FOOTCANDLES	BEAM DIAMETER
6'	109	4.0'
8'	61	5.6'
10'	39	6.8'
12'	27	8.2'
14'	20	9.6'

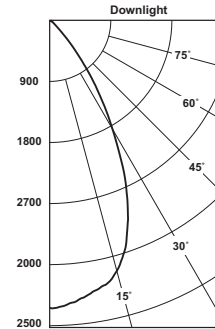
ESAADR628CWD5GCF12052535KLM

LED Count: 28
Efficacy: 39.1 Lm/W
S/M: 0.89
Color Temperature: 3500K
Drive Current: 525mA
Delivered Lumens: 2064
Test No.: LTL20207

LUMINANCE DATA

candela/meter²

VERTICAL ANGLE	AVERAGE
45°	10781
55°	3572
65°	1637
75°	805
85°	308



CANDELA DISTRIBUTION

DEGREES	CD
0°	2354
5°	2317
15°	2124
25°	1472
35°	654
45°	139
55°	37
65°	13
75°	4
85°	0
90°	0

CONE OF LIGHT

DISTANCE FROM WORKPLANE	FOOTCANDLES	BEAM DIAMETER
6'	65	5.4'
8'	37	7.2'
10'	24	9.0'
12'	16	11.0'
14'	12	12.6'

All photometric files available for your convenience at our web site: www.betalcd.com

RECESSED LED