

ESA-ADS-614-C-LWW

DESCRIPTION

Lensed wall wash/downlight luminaire with 6" square aperture, designed for use with 14 high output LEDs. Optical system, with an efficient prismatic glass spread lens, provides a pattern that is close to the ceiling and features wide lateral spread.

FEATURES

- Luminaire uses 14 high output LEDs, tolerance to be within a 2-step McAdam Ellipse. See table for specific color tolerance (at right).
- Axial & tilted axial TIR nano optics on each individual LED to maximize light delivered through aperture.
- Lower cone is die formed, low-iridescent, 0.032" thick, pre-finished aluminum.
- Soft satin Glow Clear finish, standard.
- Precision stainless steel retainers assure that the lower cone is held in position.
- Prismatic glass spread lens.
- Top access
- 2" aperture throat to accommodate all standard and extra-thick ceilings and provide flexibility in mounting within grid.
- Custom heatpipe to optimize cooling of LEDs.
- Aluminum light engine housing with patented Slideways™ feature for ease of maintenance from below the ceiling, also provides optical alignment. Interior surface is painted matte black to suppress stray light leaks.
- Provided with quick mounting brackets for optional carrying channels.
- High Efficiency constant current drivers, 120-277VAC input, 525mA drive current.
- 0-10V dimming, standard. 100%-10% full-range continuous dimming.
- Patented Slideways™ feature for ease of maintenance from below the ceiling.
- Light engine, optics, and driver accessible from above or below ceiling.
- UL/CUL listed for thru-wiring 8#12AWG-90°C and damp location.
- Thermally protected.

COMPANION LUMINAIRES

LED Downlight

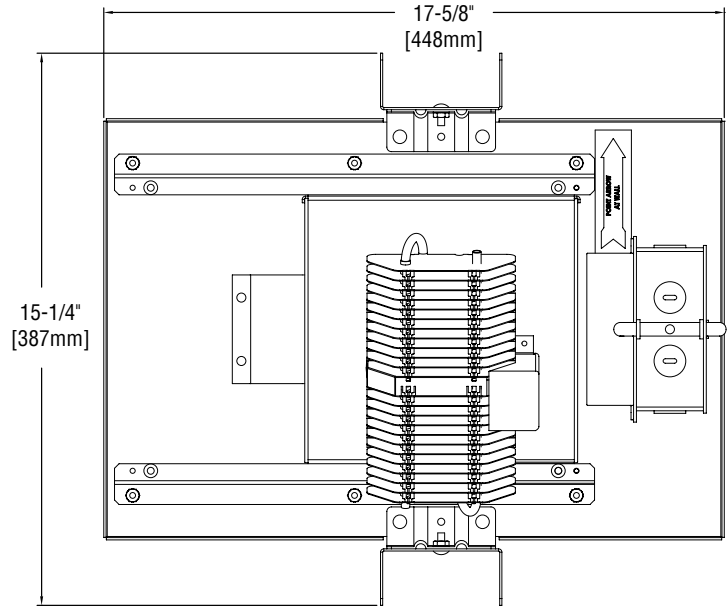
ESA-ADS-614-C-WD-SGCF

LED Adjustable

ESA-ADS-614-C-NDADJ-SGCF

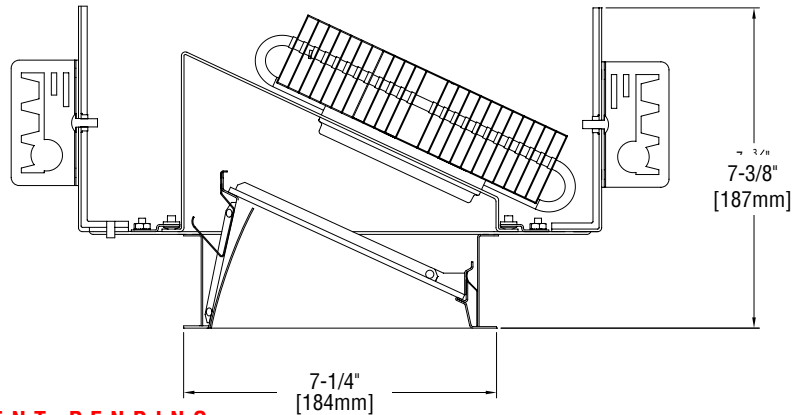
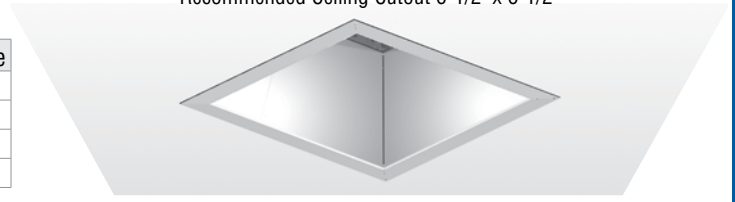
Notes:

LED Lensed Wall Wash – Square 6" Aperture



Recommended Ceiling Cutout 6-1/2" x 6-1/2"

Color Tolerance	
2700K	+/- 42K
3000K	+/- 50K
3500K	+/- 63K
4250K	+/- 95K



PATENT PENDING

US7478931 CA2560566

RECESSED LED

Family/ Series	Product	Aperture (Inches)	LED Count (# of LEDs)	LED Performance Generation	Optic	Reflector/Cone Finish	Flange Finish	Voltage	Drive Current	Options	
ESA	ADS	6	14	C	LWW	SSGC Soft Satin Glow Al Clear SSGGR Soft Satin Glow Al Graphite SSGBR Soft Satin Glow Al Bronze SSGCG Soft Satin Glow Al Champagne Gold SSGPE Soft Satin Glow Al Pewter SSGWH Soft Satin Glow Al Wheat SSGB Soft Satin Glow Al Black W White Paint	FF Flat Flange WF White Flange XF Custom Color Flange	120 120V 277 277V	525 525mA	Please type additional options in manually on the lines provided below. 27K 2700K (90 Nominal CRI) 30K 3000K (85+ CRI) 35K 3500K (80+ CRI) 43K 4250K (70+ CRI) DH Dimming Lutron HiLume (525mA) FS Fusing MC Mounting Channels ES Flangeless	
Example:	ESA	ADS	6	14	C	LWW	SSGC	FF	120	525	



PHOTOMETRICS

LED COLOR MULTIPLIER	COLOR TEMPERATURE	LUMEN MULTIPLIER	COLOR TEMPERATURE	LUMEN MULTIPLIER
		2700K	0.93	3500K
	3000K	1.00	4250K	1.14

ESAADS614CLWWSGCF12035K

LED Count: 14
 Efficacy: 48.6 Lm/W
 Color Temperature: 3500K
 Drive Current: 525mA
 Delivered Lumens: 1260
 Test No.: LTL19914

CONE OF LIGHT - WALL WASH

Distance from ceiling	3' from wall				4' from wall	
	3' apart		4' apart		4' apart	
	center line	mid point	center line	mid point	center line	mid point
1'	0	0	0	0	0	0
2'	18	12	17	6	2	1
3'	44	38	40	22	14	11
4'	49	46	41	31	25	21
5'	42	41	33	29	28	26
6'	33	33	26	24	26	25
7'	26	26	20	19	22	22
8'	20	20	15	15	19	19
9'	16	16	12	12	15	15
10'	12	12	10	9	13	13

RECESSED LED

All photometric files available for your convenience at our web site: www.betalcd.com

© 2011 BetaLED® • 1200 92nd Street • Sturtevant, WI 53177 • 800-236-6800 • www.BetaLED.com



NOTE: All data subject to change without notice.



Made in the U.S.A. of U.S. and imported parts.
 Meets Buy American requirements within the ARRA.

Rev. Date: LS6-07/22/11