

## ESA-ADS-828-C-LWW

### DESCRIPTION

Lensed wall wash/downlight luminaire with 8" square aperture, designed for use with 28 high output LEDs. Optical system, with an efficient prismatic glass spread lens, provides a pattern that is close to the ceiling and features wide lateral spread.

### FEATURES

- Luminaire uses 28 high output LEDs, tolerance to be within a 2-step McAdam Ellipse. See table for specific color tolerance (at right).
- Axial & tilted axial TIR nano optics on each individual LED to maximize light delivered through aperture.
- Lower cone is die formed, low-iridescent, 0.032" thick, pre-finished aluminum.
- Soft satin Glow Clear finish, standard.
- Precision stainless steel retainers assure that the lower cone is held in position.
- Prismatic glass spread lens.
- Top access
- 2" aperture throat to accommodate all standard and extra-thick ceilings and provide flexibility in mounting within grid.
- Custom heatpipe to optimize cooling of LEDs.
- Aluminum light engine housing with patented Slideways™ feature for ease of maintenance from below the ceiling, also provides optical alignment. Interior surface is painted matte black to suppress stray light leaks.
- Provided with quick mounting brackets for optional carrying channels.
- High Efficiency constant current drivers, 120-277VAC input, 525mA drive current.
- 0-10V dimming, standard. 100%-10% full-range continuous dimming.
- Patented Slideways™ feature for ease of maintenance from below the ceiling.
- Light engine, optics, and driver(s) accessible from above or below ceiling.
- UL/CUL listed for thru-wiring 8#12AWG-90°C and damp location.
- Thermally protected.

### COMPANION LUMINAIRES

**LED Downlight**

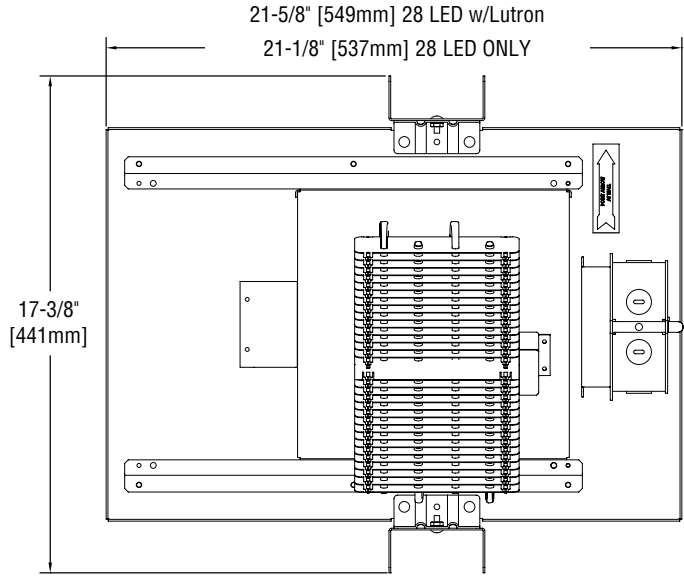
ESA-ADS-856-C-WD-SGCGF

**LED Adjustable**

ESA-ADS-828-C-NDADJ-SGCGF

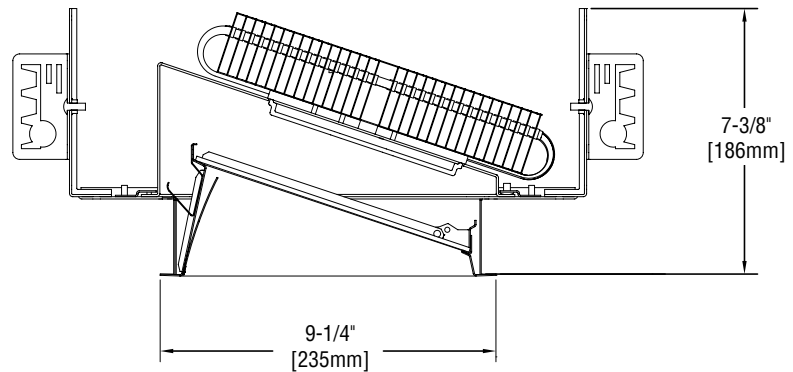
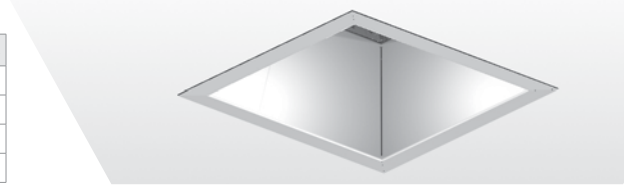
**Notes:**

## LED Lensed Wall Wash – Square 8" Aperture



Recommended Ceiling Cutout 8-1/2" x 8-1/2"

Color Tolerance	
2700K	+/- 42K
3000K	+/- 50K
3500K	+/- 63K
4250K	+/- 95K



**PATENT PENDING**

US7478931 CA2560566

RECESSED LED

Family/ Series	Product	Aperture (Inches)	LED Count (# of LEDs)	LED Performance Generation	Optic	Reflector/Cone Finish	Flange Finish	Voltage	Drive Current	Options	
<b>ESA</b>	<b>ADS</b>	8	28	<b>C</b>	<b>LWW</b>	<b>SSGC</b> Soft Satin Glow Al Clear <b>SSGGR</b> Soft Satin Glow Al Graphite <b>SSGBR</b> Soft Satin Glow Al Bronze <b>SSGCG</b> Soft Satin Glow Al Champagne Gold <b>SSGPE</b> Soft Satin Glow Al Pewter <b>SSGWH</b> Soft Satin Glow Al Wheat <b>SSGB</b> Soft Satin Glow Al Black <b>W</b> White Paint	<b>FF</b> Flat Flange <b>WF</b> White Flange <b>XF</b> Custom Color Flange	<b>120</b> 120V <b>277</b> 277V	<b>525</b> 525mA	<b>27K</b> 2700K (90 Nominal CRI) <b>30K</b> 3000K (85+ CRI) <b>35K</b> 3500K (80+ CRI) <b>43K</b> 4250K (70+ CRI) <b>DH</b> Dimming Lutron HiLume (525mA) <b>FS</b> Fusing <b>MC</b> Mounting Channels <b>ES</b> Flangeless	
Example:	<b>ESA</b>	<b>ADS</b>	<b>8</b>	<b>28</b>	<b>C</b>	<b>LWW</b>	<b>SSGC</b>	<b>FF</b>	<b>120</b>	<b>525</b>	



## PHOTOMETRICS

LED COLOR MULTIPLIER	COLOR TEMPERATURE	LUMEN MULTIPLIER	COLOR TEMPERATURE	LUMEN MULTIPLIER
		2700K	0.93	3500K
	3000K	1.00	4250K	1.14

### ESAADS828CLWWSGCFF12035K

LED Count: 28  
 Efficacy: 48.7 Lm/W  
 Color Temperature: 3500K  
 Drive Current: 525mA  
 Delivered Lumens: 2599  
 Test No.: LTL19918

### CONE OF LIGHT - WALL WASH

Distance from ceiling	3' from wall				4' from wall	
	3' apart		4' apart		4' apart	
	center line	mid point	center line	mid point	center line	mid point
1'	2	1	1	1	0	0
2'	33	23	30	13	6	4
3'	72	58	63	36	25	18
4'	85	75	72	49	40	33
5'	79	74	64	51	47	41
6'	65	64	52	46	47	43
7'	53	53	40	39	42	41
8'	42	43	32	32	37	36
9'	34	34	26	26	31	31
10'	27	28	21	21	26	27

RECESSED LED

All photometric files available for your convenience at our web site: [www.betalcd.com](http://www.betalcd.com)

