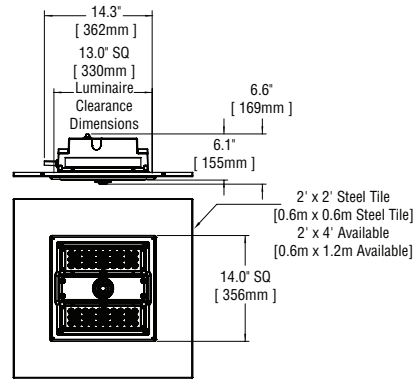




Notes:



Product	Family	Optic	Mounting	# of LEDs (x 10)	LED Series	Voltage	Color Options	Drive Current	Factory-Installed Options
INT	304	40 ¹	RM ²	04	D	UL Universal 120–277V UH Universal 347–480V	WH White (Standard) SV Silver BZ Bronze BK Black PB Platinum Bronze	350 350mA	IC Type IC Rated 40K 4000K Color Temperature ³ DIM 0–10V Dimming ^{4,5} F Fuse ^{6,7}

Please type additional options in manually on the lines provided above.

Footnotes

- 1. Distribution similar to flood (40°)
- 2. Recessed mount
- 3. Color temperature per fixture; 5700K standard; minimum 70 CRI
- 4. Control by others
- 5. Refer to dimming spec sheet for availability and additional information
- 6. When code dictates fusing use time delay fuse
- 7. Not available when UH voltage is selected

LED PERFORMANCE SPECS

# of LEDs	Initial Delivered Lumens – 40° Flood Optic @ 5700K	Initial Delivered Lumens – 40° Flood Optic @ 4000K	System Watts 120–480V	Total Current @ 120V	Total Current @ 208V	Total Current @ 240V	Total Current @ 277V	Total Current @ 347V	Total Current @ 480V	L ₇₀ Hours** @ 25° C (77° F)	50K Hours Lumen Maintenance Factor @ 15° C (59° F)*
350mA Fixture Operating at 25° C (77° F)											
40	4,249 (04)	3,916 (04)	47	0.39	0.24	0.21	0.19	0.15	0.11	> 140,000	89%

* For recommended lumen maintenance factor data see TD-13



General Description

High performance energy efficient IC Rated LED down light, designed for use in drop ceilings with 20" (508mm) to 24" (610mm) on center building construction. Fixture mounts to 2' (0.61m) x 2' (0.61m) heavy gauge steel tile allowing it to be mounted directly into grid ceiling systems. Tile includes mounting slots to allow for required bailing wire to ceiling support structure.

Slim, low profile design. Fixture is constructed from rugged die-cast and extruded aluminum components. LED driver is mounted in a sealed weather-tight center chamber that allows for access from below the fixture. High performance heatsinks specifically designed for LED recessed application.

Five year limited warranty on luminaire.

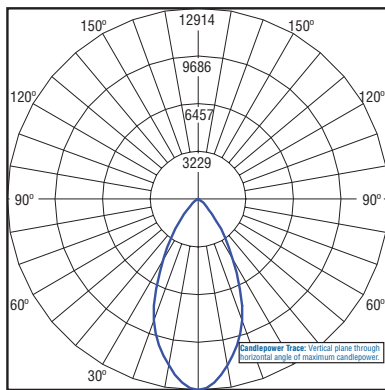
Electrical

Modular design accommodates varied lighting output from high power, white, 5700K (+/- 500K per full fixture), minimum 70 CRI, long life LED sources. Optional 4000K (+/- 300K per full fixture) also available. 120–277V 50/60 Hz, Class 1 LED drivers are standard. 347–480V 50/60Hz driver is optional. LED drivers have power factor >90% and THD <20% at full load. Units provided with integral 10kV surge suppression protection standard. Surge protection tested in accordance with IEEE/ANSI C62.41.2.

Luminaire is Type IC in accordance with Article 410 of the NEC and UL 1598. It is suitable for direct contact with insulation.

Luminaire is suitable for through wire of luminaire to luminaire connection.

Meets FCC Title 47 CFR Part 18, Non-Consumer EMI and RFI emission levels.

Photometrics

Independent Testing Laboratories certified test. Report No. ITL65015 Candlepower trace of 6000K, 60 LED 40° Flood optic Flood 304 series luminaire with 10,625 initial delivered lumens operating at 525mA. **All published luminaire photometric testing performed to IESNA LM-79-08 standards.**

Testing & Compliance

UL Listed in the US and Canada for wet locations. Consult factory for CE certified products. Dark Sky Friendly. IDA Approved. RoHS Compliant.

**Finish**

Exclusive Colorfast DeltaGuard® finish on all cast aluminum components features an E-Coat epoxy primer with an ultra-durable white powder topcoat, providing excellent resistance to corrosion, ultraviolet degradation and abrasion. Bronze, black, silver and platinum bronze powder topcoats are also available. Clear anodized finish on extruded aluminum heat sink. The finish is covered by our 10 year limited warranty.

Fixture and finish are endurance tested to withstand 5,000 hours of elevated ambient salt fog conditions as defined in ASTM Standard B 117.

Patents

U.S. and international patents granted and pending. BetaLED is a division of Ruud Lighting, Inc. For a listing of Ruud Lighting, Inc. patents, visit www.uspto.gov.

Field-Installed Accessories

© 2012 Ruud Lighting Inc. – A Cree Company. All rights reserved. The information in this document is subject to change without notice.
9201 Washington Ave • Racine, WI 53406-3772 • 800-236-6800 • www.BetaLED.com



Made in the U.S.A. of U.S. and imported parts.
Meets Buy American requirements within the ARRA.