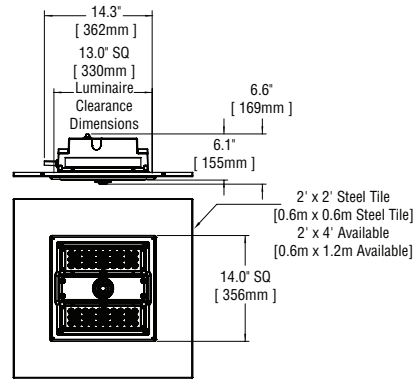




Notes:



Product	Family	Optic	Mounting	# of LEDs (x 10)	LED Series	Voltage	Color Options	Drive Current	Factory-Installed Options
INT	304	5M ¹	RM ²	04 06	D	12 120V 27 277V	WH White (Standard) SV Silver BZ Bronze BK Black PB Platinum Bronze	350 350mA 525 525mA (Standard) 700 700mA ³	Please type additional options in manually on the lines provided above. 40K 4000K Color Temperature ⁴ DIM 0–10V Dimming ^{5,6,7} F Fuse ⁸ ML Multi-Level (75/525) ⁹

Footnotes

- 1. IESNA Type V Medium distribution
- 2. Recessed mount
- 3. Available on fixtures with 40 LEDs
- 4. Color temperature per fixture; 5700K standard; minimum 70 CRI
- 5. Control by others
- 6. Refer to dimming spec sheet for availability and additional information
- 7. Can't exceed specified drive current
- 8. When code dictates fusing use time delay fuse
- 9. Refer to 304 series multi-level spec sheet for availability and additional information

LED PERFORMANCE SPECS													
# of LEDs	Initial Delivered Lumens – Type V Medium @ 5700K	B	U	G	Initial Delivered Lumens – Type V Medium @ 4000K	B	U	G	System Watts 120 / 277V	Total Current @ 120V	Total Current @ 277V	L ₇₀ Hours** @ 25° C (77° F)	50K Hours Lumen Maintenance Factor* @15° C (59° F)
		Rating**				Rating**							
350mA Fixture Operating at 25° C (77° F)													
40	4,056 (04)	2	0	1	3,738 (04)	2	0	1	47	0.39	0.21	> 150,000	90%
60	5,957 (06)	3	0	2	5,490 (06)	3	0	2	68	0.59	0.30	> 150,000	
525mA (Standard) Fixture Operating at 25° C (77° F)													
40	5,678 (04)	3	0	2	5,233 (04)	3	0	2	68	0.58	0.30	140,000	89%
60	8,339 (06)	3	0	2	7,686 (06)	3	0	2	105	0.91	0.46	126,000	
700mA Fixture Operating at 25° C (77° F)													
40	6,895 (04)	3	0	2	6,355 (04)	3	0	2	94	0.81	0.36	128,000	88%

* For recommended lumen maintenance factor data see TD-13

** For more information on the IES BUG (Backlight-Uplight-Glare) Rating visit www.iesna.org/PDF/Erratas/TM-15-11BugRatingsAddendum.pdf



General Description

High performance energy efficient Non-IC Rated LED down light, designed for use in drop ceilings with 20" (508mm) to 24" (610mm) on center building construction. Fixture mounts to 2' (0.61m) x 2' (0.61m) heavy gauge steel tile allowing it to be mounted directly into grid ceiling systems. Tile includes mounting slots to allow for required bailing wire to ceiling support structure.

Slim, low profile design. Fixture is constructed from rugged die-cast and extruded aluminum components. LED driver is mounted in a sealed weather-tight center chamber that allows for access from below the fixture. High performance heatsinks specifically designed for LED recessed application.

Five year limited warranty on luminaire.

Electrical

Modular design accommodates varied lighting output from high power, white, 5700K (+/- 500K per full fixture), minimum 70 CRI, long life LED sources. Optional 4000K (+/- 300K per full fixture) also available. 120V or 277V 50/60Hz, Class 1 LED drivers. LED drivers have power factor >90% and THD <20% at full load. Luminaire is thermally protected Type NON-IC in accordance with Article 410 of the NEC and UL 1598.

Luminaire is suitable for through wire of luminaire to luminaire connection.

Meets FCC Title 47 CFR Part 18, Non-Consumer EMI and RFI emission levels.

Testing & Compliance

UL Listed in the US and Canada for wet locations. Consult factory for CE certified products. Dark Sky Friendly. IDA Approved. RoHS Compliant.



Finish

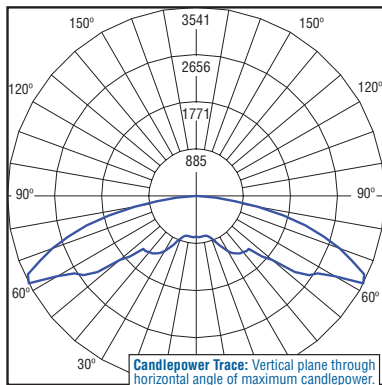
Exclusive Colorfast DeltaGuard® finish features an E-Coat epoxy primer with an ultra-durable white powder topcoat, providing excellent resistance to corrosion, ultraviolet degradation and abrasion. Bronze, black, silver and platinum bronze powder topcoats are also available. The finish is covered by our 10 year limited warranty.

Fixture and finish are endurance tested to withstand 5,000 hours of elevated ambient salt fog conditions as defined in ASTM Standard B 117.

Patents

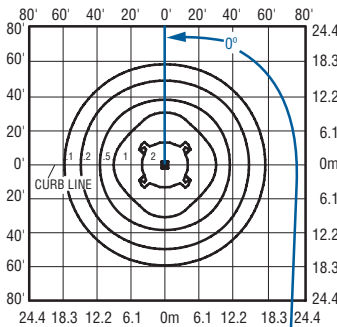
U.S. and international patents granted and pending. BetaLED is a division of Ruud Lighting, Inc. For a listing of Ruud Lighting, Inc. patents, visit www.uspto.gov.

Photometrics



Candlepower Trace: Vertical plane through horizontal angle of maximum candlepower.

Independent Testing Laboratories certified test. Report No. ITL66685 Candlepower trace of 6000K, 60 LED Type V Medium optic Canopy 304 series luminaire with 10,893 initial delivered lumens operating at 525mA. All published luminaire photometric testing performed to IESNA LM-79-08 standards.



Position of vertical plane of maximum candlepower.

Isofootcandle plot of 5700K, 60 LED Type V Medium optic interior 304 series luminaire at 25' (7.6m) A.F.G. Luminaire with 8,339 initial delivered lumens operating at 525mA. Initial FC at grade.

Field-Installed Accessories

