

Notes:

Product	Family	Optic	Mounting	# of LEDs (x 10)	LED Series	Voltage	Color Options	Drive Current Not Field Adjustable	Factory-Installed Options Please type additional options in manually on the lines provided above.
PKG	EDG	15 ¹	DM ²	02	D	UL Universal 120-277V	SV Silver BK Black BZ Bronze PB Platinum Bronze WH White	350 350mA	43K F Fuse ⁴ P Photocell ⁵

Footnotes

- 1. Distribution similar to spot (10°)
- 2. Direct Mount
- 3. Color temperature per fixture; minimum 70 CRI
- 4. Must specify voltage other than UL

LED PERFORMANCE SPECS

# of LEDs	Initial Delivered Lumens – 15° Flood @ 6000K	Initial Delivered Lumens – 15° Flood @ 4300K	System Watts 120-277V	Total Current @ 120V	Total Current @ 230V	Total Current @ 277V	L ₇₀ Hours* @ 25° C (77° F)	50K Hours Lumen Maintenance
350mA Fixture Operating at 25° C (77° F)								
20	2,286 (02)	2,107 (02)	26	0.20	0.11	0.10	>150,000	93%

* For recommended lumen depreciation data see TD-13 ** For more information on the IES BUG (Backlight-Uplight-Glare) Rating visit www.iesna.org/PDF/Erratas/TM-15-07BugRatingsAddendum.pdf

General Description

Slim, low profile design. Fixture is constructed from rugged extruded aluminum, die cast aluminum extrusion stamped metal components. LED driver is mounted in extruded aluminum fixture ends and sealed for weather-tight operation. High performance aluminum heatsinks specifically designed for LED parking structure application. Mounting bracket designed to mount directly over existing single gang and octagonal junction boxes for direct mount. Five year limited warranty on fixture.

Electrical

Modular design accommodates varied lighting output from high power, white, 6000K (+/- 500K per full fixture), minimum 70 CRI, long life LED sources. Optional 4300K (+/- 300K per full fixture) also available. 120–277V 50/60 Hz, Class 1 LED drivers are standard. LED drivers have power factor >90% and THD <20% at full load. Units provided with integral 10kV surge suppression protection standard. Surge protection tested in accordance with IEEE/ANSI C62.41.2.

Testing & Compliance

UL listed in the U.S. and Canada for wet locations. Consult factory for CE Certified products. Dark Sky Friendly. IDA Approved. RoHS compliant.



Finish

Exclusive Colorfast DeltaGuard® finish features an E-Coat epoxy primer with an ultra-durable silver powder topcoat, providing excellent resistance to corrosion, ultraviolet degradation and abrasion. Bronze, black, white and platinum bronze powder topcoats are also available. The finish is covered by our 10 year limited warranty.

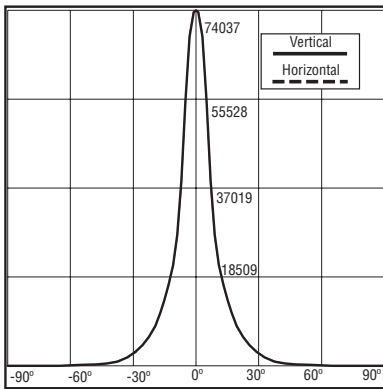
Fixture and finish are endurance tested to withstand 5,000 hours of elevated ambient salt fog conditions as defined in ASTM Standard B 117.

Patents

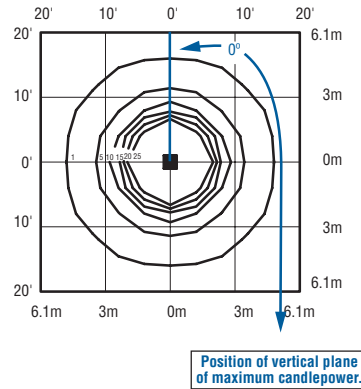
U.S. and international patents granted and pending. BetaLED is a division of Ruud Lighting, Inc. For a listing of Ruud Lighting, Inc. patents, visit www.uspto.gov.

Field-Installed Accessories

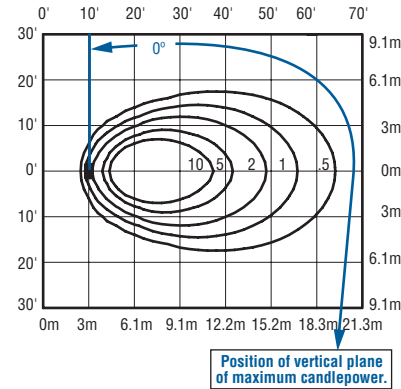
Photometrics



Preliminary candlepower trace of 6000K 60 LEDs LED EDGE Flood series luminaire with 11,231 initial delivered lumens operating at 700mA.



Isofootcandle plot of 4300K, 120 LED, 15° flood luminaire at 25' (7.6m) A.F.G. Luminaire with 17,424 initial delivered lumens operating at 525mA. Initial FC at grade.



Isofootcandle plot of 4300K, 120 LED, 15° flood luminaire at 25' (7.6m) A.F.G. Luminaire with 17,424 initial delivered lumens operating at 525mA. Initial FC at grade.

