

Notes:

Product	Family	Optic	Mounting	# of LEDs (x 10)	LED Series	Voltage	Color Options	Drive Current Not Field Adjustable	Factory-Installed Options
PKG	EDG	15 <sup>1</sup>	PD <sup>2</sup>	04 <sup>3</sup> 06 <sup>3</sup> 08 <sup>3</sup> 10	D	UL Universal 120–277V UH Universal 347–480V 12 120V 24 240V 27 277V 34 347V	SV Silver BK Black BZ Bronze PB Platinum Bronze WH White	350 350mA 525 525mA 700 <sup>4</sup> 700mA	43K 4300K Color Temperature <sup>5</sup> DIM 0–10V Dimming <sup>6,7</sup> F Fuse <sup>8,9,10</sup> HL Hi/Low (175/350/525, dual circuit input) <sup>11</sup> ML Multi-Level (75/525) <sup>11</sup> P Photocell <sup>10,12,13</sup>

Footnotes

- Distribution similar to narrow flood (40°)
- Pendant mount
- Consists of multiple 20 LED light bars. 40, 60, and 80 LED units use blanks as needed in place of populated light bars
- Available on fixtures with 40–60 LEDs
- Color temperature per fixture; 6000K standard; minimum 70 CRI
- Control by others
- Refer to dimming spec sheet for availability and additional information
- Not available when UH or 34 voltage is selected
- When code dictates fusing use time delay fuse
- Not available with all multi-level options. Refer to multi-level spec sheet for availability and additional information
- Refer to multi-level spec sheet for availability and additional information
- Must specify voltage other than UL, UH, or 34
- Not available on fixtures with 100 LEDs

LED PERFORMANCE SPECS

# of LEDs	Initial Delivered Lumens – 15° Optic @ 6000K	Initial Delivered Lumens – 15° Optic @ 4300K	System Watts 120–480V	Total Current @ 120V	Total Current @ 240V	Total Current @ 277V	Total Current @ 347V	Total Current @ 480V	L <sub>70</sub> Hours* @ 25° C (77° F)	50K Hours Lumen Maintenance Factor* @ 15° C (59° F)
<b>350mA Fixture Operating at 25° C (77° F)</b>										
40 <sup>3</sup>	4,572 (04)	4,213 (04)	47	0.40	0.21	0.19	0.15	0.12	>150,000	93%
60 <sup>4</sup>	6,769 (06)	6,239 (06)	68	0.58	0.30	0.26	0.20	0.16	>150,000	
80	9,025 (08)	8,318 (08)	90	0.77	0.38	0.34	0.26	0.20	>150,000	
100	11,253 (10)	10,372 (10)	111	0.95	0.47	0.42	0.32	0.24	>150,000	
<b>525mA Fixture Operating at 25° C (77° F)</b>										
40 <sup>3</sup>	6,400 (04)	5,899 (04)	70	0.57	0.29	0.26	0.21	0.16	136,000	92%
60 <sup>4</sup>	9,477 (06)	8,734 (06)	102	0.87	0.44	0.39	0.30	0.22	129,000	
80	12,636 (08)	11,645 (08)	133	1.14	0.56	0.49	0.39	0.29	129,000	
100	15,755 (10)	14,520 (10)	172	1.47	0.75	0.67	0.51	0.38	128,000	
<b>700mA Fixture Operating at 25° C (77° F)</b>										
40 <sup>3</sup>	7,818 (04)	7,205 (04)	93	0.79	0.40	0.35	0.27	0.20	111,000	90%
60 <sup>4</sup>	11,575 (06)	10,668 (06)	137	1.18	0.59	0.51	0.39	0.29	111,000	

\* For recommended lumen maintenance factor data see TD-13



**General Description**

Slim, low profile design. Fixture is constructed from rugged extruded aluminum, die cast aluminum and stamped metal components. LED driver is mounted in extruded aluminum fixture extrusion and sealed for weather tight operation. High performance aluminum heatsinks specifically designed for LED parking structure application. Corrosion resistant wire guard provides anti-fouling protection from leaf/debris and animal nesting to assure cool LED operation. Pendant mount includes 5' (1.5m) cord out of fixture and is intended to be mounted by 3/4 IP pendant (by others). Five year limited warranty on fixture.

**Electrical**

Modular design accommodates varied lighting output from high power, white, 6000K (+/- 500K per full fixture), minimum 70 CRI, long life LED sources. Optional 4300K (+/- 300K per full fixture) also available. 120–277V 50/60 Hz, Class 1 LED drivers are standard. 347–480V Hz 50/60 driver is optional. LED drivers have power factor >90% and THD <20% at full load. Units provided with integral 10kV surge suppression protection standard. Surge protection tested in accordance with IEEE/ANSI C62.41.2.

**Testing & Compliance**

UL listed in the U.S. and Canada for wet locations and enclosure rated IP66 per IEC 60529. Consult factory for CE/ENEC Certified products. Dark Sky Friendly. IDA Approved. RoHS compliant.



**Finish**

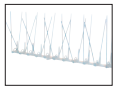
Exclusive Colorfast DeltaGuard® finish features an E-Coat epoxy primer with an ultra-durable silver powder topcoat, providing excellent resistance to corrosion, ultraviolet degradation and abrasion. Bronze, black, white and platinum bronze powder topcoats are also available. The finish is covered by our 10 year limited warranty.

Fixture and finish are endurance tested to withstand 5,000 hours of elevated ambient salt fog conditions as defined in ASTM Standard B 117.

**Patents**

U.S. and international patents granted and pending. BetaLED is a division of Ruud Lighting, Inc. For a listing of Ruud Lighting, Inc. patents, visit [www.uspto.gov](http://www.uspto.gov).

**Field-Installed Accessories**



**Bird Spikes**  
XA-BRDSPK



**Bird Shroud**  
XA-BRDGRD



**Leveler**  
XA-PNDTLVL  
(For 0–13° sloped ceilings)



**Pendant Fitting**  
XA-PSFTG



**12" (305mm) Pendant Kit**  
XA-PS12KIT  
Pendant height to bottom of fixture; mounting accessories or surface boxes will add to overall height

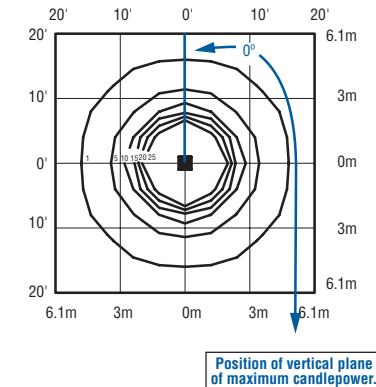
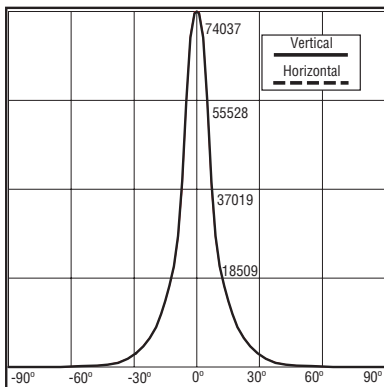


**18" (457mm) Pendant Kit**  
XA-PS18KIT  
Pendant height to bottom of fixture; mounting accessories or surface boxes will add to overall height

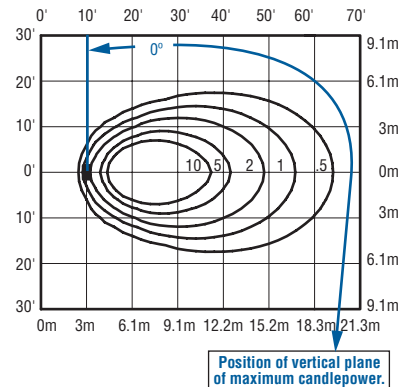


**22" (559mm) Pendant Kit**  
XA-PS22KIT  
Pendant height to bottom of fixture; mounting accessories or surface boxes will add to overall height

**Photometrics**



Isofootcandle plot of 4300K, 120 LED, 15° flood luminaire at 25' (7.6m) A.F.G. Luminaire with 17,424 initial delivered lumens operating at 525mA. Initial FC at grade.



Isofootcandle plot of 4300K, 120 LED, 15° flood luminaire at 25' (7.6m) A.F.G. Luminaire with 17,424 initial delivered lumens operating at 525mA. Initial FC at grade.



© 2011 Ruud Lighting Inc. – A Cree Company. All rights reserved. The information in this document is subject to change without notice.  
9201 Washington Ave • Racine, WI 53406-3772 • 800-236-6800 • [www.betaLED.com](http://www.betaLED.com)

Made in the U.S.A. of U.S. and imported parts.  
Meets Buy American requirements within the ARRA.