

Notes:

Product	Family	Optic	Mounting	# of LEDs (x 10)	LED Series	Voltage	Color Options	Drive Current	Factory-Installed Options
SFT	304	5S ¹	RM ²	04 06	D	12 120V 27 277V	WH White (Standard) SV Silver BZ Bronze BK Black PB Platinum Bronze	350 350mA 525 525mA (Standard) 700 ³ 700mA	Please type additional options in manually on the lines provided above. 40K 4000K Color Temperature ⁴ DIM 0–10V Dimming ^{5,6,7} F Fuse ⁸ ML Multi-Level (75/525mA) ⁹

Footnotes

1. IESNA Type V Short distribution
2. Recessed mount
3. Available on fixtures with 40 LEDs
4. Color temperature per fixture; 5700K standard; minimum 70 CRI
5. Control by others
6. Can't exceed specified drive current
7. Refer to dimming spec sheet for availability and additional information
8. When code dictates fusing use time delay fuse
9. Refer to 304 series multi-level spec sheet for availability and additional information

LED PERFORMANCE SPECS

# of LEDs	Initial Delivered Lumens – Type V Short @ 5700K	Rating**			Initial Delivered Lumens – Type V Short @ 4000K	Rating**			System Watts 120 / 277V	Total Current @ 120V	Total Current @ 277V	L ₇₀ Hours** @ 25° C (77° F)	50K Hours Lumen Maintenance Factor* @15° C (59° F)
		B	U	G		B	U	G					
350mA Fixture Operating at 25° C (77° F)													
40	4,507 (04)	2	0	1	4,154 (04)	2	0	1	47	0.39	0.21	> 150,000	90%
60	6,619 (06)	3	0	1	6,100 (06)	3	0	1	68	0.59	0.30	> 150,000	
525mA (Standard) Fixture Operating at 25° C (77° F)													
40	6,309 (04)	3	0	1	5,815 (04)	3	0	1	68	0.58	0.30	140,000	89%
60	9,266 (06)	3	0	1	8,540 (06)	3	0	1	105	0.91	0.46	126,000	
700mA Fixture Operating at 25° C (77° F)													
40	7,661 (04)	3	0	1	7,061 (04)	3	0	1	94	0.81	0.36	128,000	88%

* For recommended lumen maintenance factor data see TD-13

** For more information on the IES BUG (Backlight-Uplight-Glare) Rating visit www.iesna.org/PDF/Erratas/TM-15-11BugRatingsAddendum.pdf



General Description

High performance energy efficient Non-IC Rated LED down light, designed for use in drop ceilings or new construction applications with 20" (508mm) to 24" (610mm) on center building construction. Heavy gauge steel recessed mounting frame features 1-1/2" (38mm) deep aperture throat to accommodate most standard ceiling thicknesses, and universal mounting brackets that accept 1/2" (13mm) EMT conduit, C-channel mounting bars or flat bar hangers (all by others) with 5" (127mm) vertical adjustment from either above or below the ceiling.

Slim, low profile design. Fixture is constructed from rugged die-cast and extruded aluminum components. LED driver is mounted in a sealed weather-tight center chamber that allows for access from below the fixture. High performance heatsinks specifically designed for LED recessed soffit application.

Five year limited warranty on luminaire.

Electrical

Modular design accommodates varied lighting output from high power, white, 5700K (+/- 500K per full fixture), minimum 70 CRI, long life LED sources. Optional 4000K (+/- 300K per full fixture) also available. 347-480V 50/60 Hz option is available. 120V or 277V 50/60Hz, Class 1 LED drivers. LED drivers have power factor >90% and THD <20% at full load. Units provided with integral 10kV surge suppression protection standard. Surge protection tested in accordance with IEEE/ANSI C62.41.2. Luminaire is thermally protected Type NON-IC in accordance with Article 410 of the NEC and UL 1598.

Luminaire is suitable for through wire of luminaire to luminaire connection.

Meets FCC Title 47 CFR Part 15, Non-Consumer EMI and RFI emission levels.

Field-Installed Accessories**Testing & Compliance**

UL Listed in the US and Canada for wet locations under covered ceilings. Consult factory for CE certified products. Dark Sky Friendly. IDA Approved. RoHS Compliant.

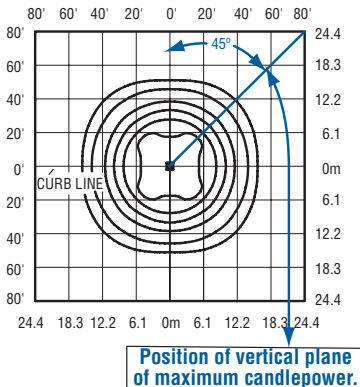
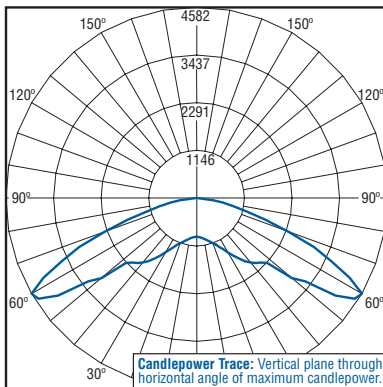
**Finish**

Exclusive Colorfast DeltaGuard® finish features an E-Coat epoxy primer with an ultra-durable white powder topcoat, providing excellent resistance to corrosion, ultraviolet degradation and abrasion. Bronze, black, silver and platinum bronze powder topcoats are also available. The finish is covered by our 10 year limited warranty.

Fixture and finish are endurance tested to withstand 5,000 hours of elevated ambient salt fog conditions as defined in ASTM Standard B 117.

Patents

U.S. and international patents granted and pending. BetaLED is a division of Ruud Lighting, Inc. For a listing of Ruud Lighting, Inc. patents, visit www.uspto.gov.

Photometrics

Independent Testing Laboratories certified test. Report No. ITL67156. Candlepower trace of 6000K, 60 LED Type V Short 304 parking structure luminaire with 11,822 initial delivered lumens operating at 700mA. All published luminaire photometric testing performed to IESNA LM-79-08 standards.

Isofootcandle plot of 5700K, 60 LED Petroleum symmetric 304 series soffit luminaire at 15' A.F.G. Luminaire with 9,266 initial delivered lumens operating at 700mA. Initial FC at grade.

