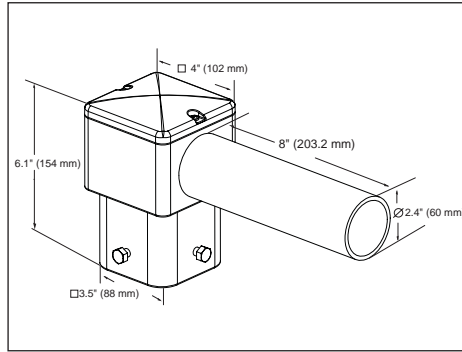
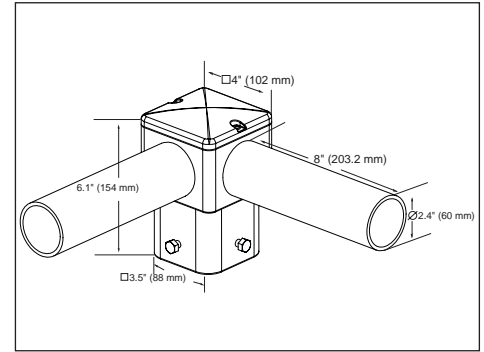




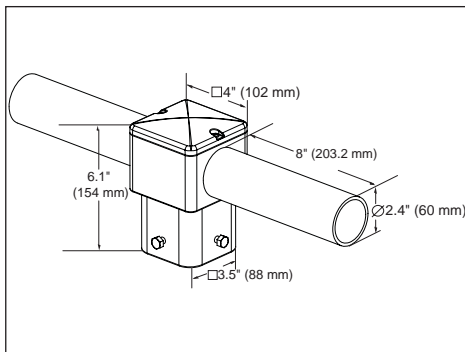
**Notes:**



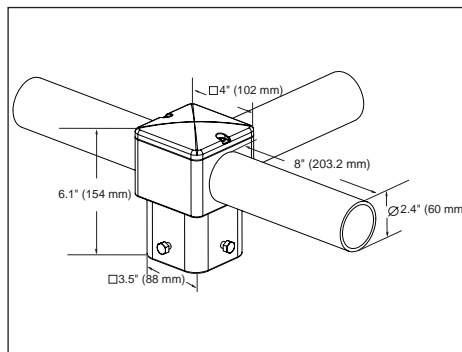
**PD-1H4**



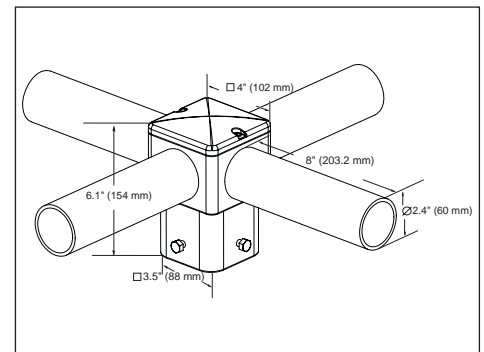
**PD-2H4(90)**



**PD-2H4(180)**



**PD-3H4(90)**



**PD-4H4(90)**

**Catalog Number**

**Description**

**Color Options**

<b>PD-1H4</b>	Aluminum Single Tenon
<b>PD-2H4(90)</b>	Aluminum 90° Twin Tenon
<b>PD-2H4(180)</b>	Aluminum 180° Twin Tenon
<b>PD-3H4(90)</b>	Aluminum 90° Triple Tenon
<b>PD-4H4(90)</b>	Aluminum 90° Quad Tenon

- BZ
- BK
- WH
- SV
- PB

**General Description**

The square base of the PD Series aluminum bracket is designed to be inserted into square, non-tapered 4" steel or aluminum poles. End cap is supplied to enclose wiring chamber and is held in place with two #8 stainless-steel screws. Furnished with four 5/16" hex head cap screws to secure to pole. Horizontal tenons measure 2-3/8" (60 mm) O.D., and are made of aluminum tubing.

**Finish**

Exclusive Colorfast DeltaGuard® finish features an E-coat epoxy primer with medium bronze ultra-durable powder topcoat, providing excellent resistance to corrosion, ultraviolet degradation and abrasion. The finish is covered by our seven-year limited warranty.

