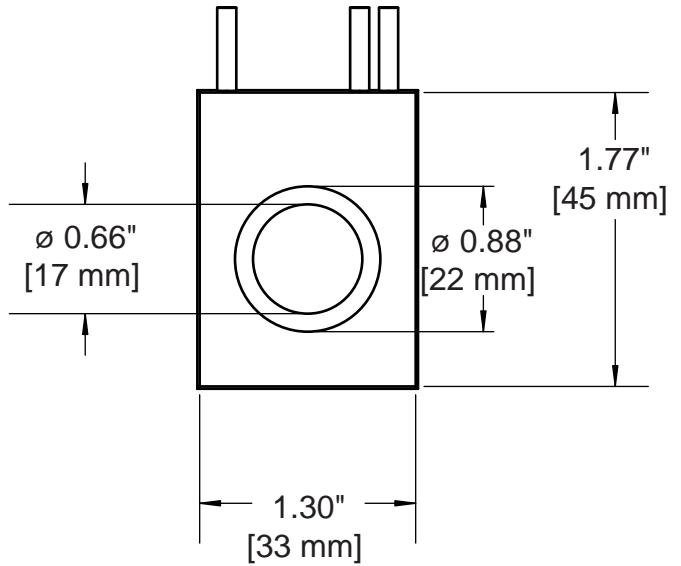


Notes:



General Description

The photo control shall provide automatic switching for outdoor lighting loads. Control shall be a thermal design with built-in delay to ensure that the controlled lighting does not switch off due to ambient light or lightning striking the photocell. Photo control housing shall be constructed of high impact polycarbonate. Photo control components shall consist of a metal film resistor, dual temperature compensating bi-metal blades, snap action contact blades, chemically treated/polymer encapsulated cadmium sulfide photocell and silver alloy contacts to ensure reliable five year manufacturer warranted operation. Photo control shall be 100% factory tested for function within specified light levels.

Input Voltage

120VAC and 208 – 277VAC

Operating Temperature

-40°F (-40°C) – 158°F (70°C)

Activation (w/o shield)

1 – 5 FC "ON"; 3 – 15 FC "OFF"

Finish

Gray

Labels

CSA and UL listed.